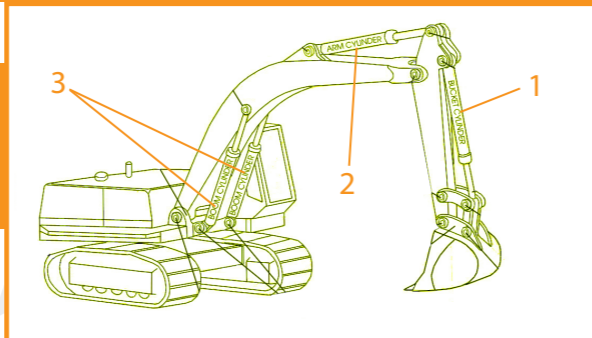


# CAT Series



CAT		BOOM	242-6731
CAT	320 DL	STICK	242-6751
CAT		BUCKET	242-6756
CAT	320 C-CL	STICK	204-3615
CAT		BOOM	204-3614
CAT		BUCKET	204-3689
CAT	320 L	STICK	087-5422
CAT		BOOM	158-9058
CAT		BUCKET	7Y-5100
CAT	322 B-BL	STICK	177-2443
CAT		BOOM	118-4166
CAT		BUCKET	123-2044
CAT	322 C-CL	STICK	177-2443
CAT		BOOM	177-2446
CAT		BUCKET	6C-9407
CAT	324 DL	STICK	242-6860
CAT		BOOM	242-6849
CAT		BUCKET	289-7975
CAT	325 BL	STICK	118-4000
CAT		BOOM	114-0636
CAT		BUCKET	118-3921
CAT	325 CL	STICK	179-9785
CAT		BOOM	179-9782
CAT		BUCKET	123-2044
CAT	325 DL	STICK	289-7994
CAT		BOOM	295-9398
CAT		BUCKET	225-4578
CAT	329 DL	STICK	289-7994
CAT		BOOM	225-4595
CAT		BUCKET	289-8004

Cylinder As



Rod As



Piston



Locknut



Bearing Sleeve



Stop



Head



● Call us for our all brands, products and technical tables.  
Part numbers are representative.

CYLINDER NAME	PART NUMBER	DESCRIPTION	QUANTITY
<b>14 M BLADE LIFT</b>	365-7414	CYL GP(ASSEMBLY)	1
	365-7413	CYL AS(TUBE)	1
	262-1921	ROD AS	1
	6E-4975	HEAD	1
	9T-8043	PISTON	1
	173-9683	BOLT	1
	8J-6018	BUSHING	2
	235-0355	KIT SEAL	1
CYLINDER NAME	PART NUMBER	DESCRIPTION	QUANTITY
<b>14 M BLADE TIP</b>	9T-8944	CYL GP(ASSEMBLY)	1
	9T-8943	CYL AS(TUBE)	1
	6E-1049	ROD AS	1
	6E-0775	HEAD	1
	9T-3133	PISTON	1
	173-9683	BOLT	1
	4D-0298	BEARING	2
	233-9205	KIT SEAL	1
CYLINDER NAME	PART NUMBER	DESCRIPTION	QUANTITY
<b>14-16 M BLADE SIDE SHIFT</b>	257-5083	CYL GP(ASSEMBLY)	1
	257-5084	CYL AS(TUBE)	1
	257-5085	ROD AS	1
	172-9981	HEAD	1
	9T-3051	PISTON	1
	173-9683	BOLT	1
	234-1949	KIT SEAL	1
CYLINDER NAME	PART NUMBER	DESCRIPTION	QUANTITY
<b>CAT 16 M LIFT</b>	270-7538	CYL GP(ASSEMBLY)	1
	9T-3109	CYL AS(TUBE)	1
	262-1923	ROD AS	1
	172-9981	HEAD	1
	9T-3051	PISTON	1
	8C-3411	BOLT	1
	8J-5654	BUSHING	2
	234-1949	KIT SEAL	1
CYLINDER NAME	PART NUMBER	DESCRIPTION	QUANTITY
<b>CAT 16 M CENTERSHIFT</b>	262-1905	CYL GP(ASSEMBLY)	1
	262-1929	CYL AS(TUBE)	1
	262-1924	ROD AS	1
	172-9981	HEAD	1
	9T-3051	PISTON	1
	173-9683	BOLT	1
	234-1949	KIT SEAL	1

CYLINDER NAME	PART NUMBER	DESCRIPTION	QUANTITY
<b>16 M ARTICULATION</b>	378-6610	CYL GP(ASSEMBLY)	1
	263-1058	CYL AS(TUBE)	1
	378-6611	ROD AS	1
	172-9981	HEAD	1
	142-5893	PISTON	1
	173-9683	BOLT	1
		KIT SEAL	1
CYLINDER NAME	PART NUMBER	DESCRIPTION	QUANTITY
<b>16 M STEERING</b>	267-3863	CYL GP(ASSEMBLY)	1
	267-3864	CYL AS(TUBE)	1
	267-3865	ROD AS	1
	151-7038	HEAD	1
	214-6480	PISTON	1
	5J-4561	LOCKNUT	1
	267-5257	SENSOR	1
	307-6263	KIT SEAL	1
CYLINDER NAME	PART NUMBER	DESCRIPTION	QUANTITY
<b>120 H ARTICULATION</b>	198-8305	CYL GP(ASSEMBLY)	1
	9T-2446	CYL AS(TUBE)	1
	198-8306	ROD AS	1
	184-9843	HEAD	1
	6E-4090	PISTON	1
	173-9779	BOLT	1
	6V-8237	WASHER	1
	8D-9814	BUSHING	2
	227-5350	KIT SEAL	1
CYLINDER NAME	PART NUMBER	DESCRIPTION	QUANTITY
<b>140 G BLADE SIDE SHIFT</b>	8J-0028	CYL GP(ASSEMBLY)	1
	8J-0027	CYL AS(TUBE)	1
	8J-6681	ROD AS	1
	7J-3351	HEAD	1
	7J-5682	PISTON	1
	7J-5639	BOLT	1
	3K-5234	WASHER	1
	8J-5911	CROWN	1
	240-2016	KIT SEAL	1
CYLINDER NAME	PART NUMBER	DESCRIPTION	QUANTITY
<b>140 GC BLADE SIDE SHIFT</b>	569-4907	CYL GP(ASSEMBLY)	1
	574-9907	CYL AS(TUBE)	1
	543-9674	ROD AS	1
	543-9715	HEAD	1
	543-9714	PISTON	1
	543-9711	KIT SEAL	1

CYLINDER NAME	PART NUMBER	DESCRIPTION	QUANTITY
<b>140 H BLADE LIFT</b>	132-4929	CYL GP(ASSEMBLY)	1
	132-4928	CYL AS(TUBE)	1
	123-3793	ROD AS	1
	148-2593	HEAD	1
	6E-1131	PISTON	1
	173-9683	BOLT	1
	3S-7023	WASHER	1
	8J-6384	BUSHING	2
	185-7667/238-4462	KIT SEAL	1
CYLINDER NAME	PART NUMBER	DESCRIPTION	QUANTITY
<b>140 H STEERING LEFT</b>	130-9041	CYL GP(ASSEMBLY)	1
	130-9044	CYL AS(TUBE)	1
	154-6579	ROD AS	1
	9T-3727	HEAD	1
	9T-2388	PISTON	1
	173-9685	BOLT	1
	8T-3282	WASHER	1
	005-8639	BEARING	1
	185-6590	KIT SEAL	1
CYLINDER NAME	PART NUMBER	DESCRIPTION	QUANTITY
<b>140 H STEERING RIGHT</b>	130-9042	CYL GP(ASSEMBLY)	1
	130-9045	CYL AS(TUBE)	1
	154-6579	ROD AS	1
	9T-3727	HEAD	1
	9T-2388	PISTON	1
	173-9685	BOLT	1
	8T-3282	WASHER	1
	005-8639	BEARING	1
	185-6590	KIT SEAL	1
CYLINDER NAME	PART NUMBER	DESCRIPTION	QUANTITY
<b>140 M STEERING</b>	389-6062	CYL GP(ASSEMBLY)	1
	389-6077	CYL AS(TUBE)	1
	449-5422	ROD AS	1
	151-7038	HEAD	1
	383-7670	PISTON	1
	451-2628	SENSOR GP	1
	471-0161	KIT SEAL	1

CYLINDER NAME	PART NUMBER	DESCRIPTION	QUANTITY
<b>140 M ARTICULATION</b>	247-0096	CYL GP(ASSEMBLY)	1
	249-5300	CYL AS(TUBE)	1
	249-5304	ROD AS	1
	6E-0123	HEAD	1
	249-5303	PISTON	1
	173-9683	BOLT	1
	9X-8399	WASHER	1
	246-5926	KIT SEAL	1
CYLINDER NAME	PART NUMBER	DESCRIPTION	QUANTITY
<b>140 M BLADE LIFT</b>	262-1900	CYL GP(ASSEMBLY)	1
	132-4928	CYL AS(TUBE)	1
	262-1919	ROD AS	1
	148-2593	HEAD	1
	6E-1131	PISTON	1
	173-9683	BOLT	1
	8J-6384	BUSHING	2
	3S-7023	WASHER	1
	185-7667/238-4462	KIT SEAL	1
CYLINDER NAME	PART NUMBER	DESCRIPTION	QUANTITY
<b>140 M BLADE SIDE SHIFT</b>	249-4116	CYL GP(ASSEMBLY)	1
	249-4117	CYL AS(TUBE)	1
	249-4120	ROD AS	1
	184-9843	HEAD	1
	9T-4211	PISTON	1
	8T-0667	BOLT	1
	150-1280	WASHER	1
	376-9017	KIT SEAL	1
CYLINDER NAME	PART NUMBER	DESCRIPTION	QUANTITY
<b>140 M BLADE TIP</b>	131-7191	CYL GP(ASSEMBLY)	1
	131-7194	CYL AS(TUBE)	1
	131-7195	ROD AS	1
	6E-4940	HEAD	1
	9T-2457	PISTON	1
	173-9685	BOLT	1
	2D-8652	BEARING	2
	8T-3282	WASHER	1
	233-9204	KIT SEAL	1
CYLINDER NAME	PART NUMBER	DESCRIPTION	QUANTITY
<b>140 M CENTERSHIFT</b>	262-1907	CYL GP(ASSEMBLY)	1
	262-1926	CYL AS(TUBE)	1
	262-1920	ROD AS	1
	148-2593	HEAD	1
	6E-1131	PISTON	1
	173-9683	BOLT	1
	3S-7023	WASHER	1
	185-7667/238-4462	KIT SEAL	1

CYLINDER NAME	PART NUMBER	DESCRIPTION	QUANTITY
<b>140 M-H RIPPER</b>	113-7754	CYL GP(ASSEMBLY)	1
	113-7755	CYL AS(TUBE)	1
	113-7756	ROD AS	1
	6E-0775	HEAD	1
	9T-3133	PISTON	1
	173-9683	BOLT	1
	8J-9910	BUSHING	1
	8J-9911	BUSHING	2
	3S-7023	WASHER	1
	233-9207/233-9205	KIT SEAL	1
CYLINDER NAME	PART NUMBER	DESCRIPTION	QUANTITY
<b>140 M WHEEL LEAN</b>	249-5299	CYL GP(ASSEMBLY)	1
	251-1550	CYL AS(TUBE)	1
	121-9245	ROD AS	1
	6E-4974	HEAD	1
	9T-9040	PISTON	1
	173-9683	BOLT	1
	2G-8631	BUSHING	2
	9X-8399	WASHER	1
	228-1778	KIT SEAL	1
CYLINDER NAME	PART NUMBER	DESCRIPTION	QUANTITY
<b>160 M RIPPER</b>	326-2227	CYL GP(ASSEMBLY)	1
	329-5113	CYL AS(TUBE)	1
	329-5116	ROD AS	1
	266-9967	HEAD	1
	266-9389	PISTON	1
	2K-0512	LOCK NUT	1
	417-3698	KIT SEAL	1
CYLINDER NAME	PART NUMBER	DESCRIPTION	QUANTITY
<b>M 316 C STICK</b>	183-8913/296-3244	CYL GP(ASSEMBLY)	1
	183-8917	CYL AS(TUBE)	1
	296-3267	ROD AS	1
	206-9496	HEAD	1
	206-9497	PISTON	1
	103-8443	STOP	1
	5I-3046	STOP	1
	143-8151	LOCK NUT	1
	7Y-5131	BUSHING	2
	7Y-5216	BOLT	8
260-5316	KIT SEAL	1	

CYLINDER NAME	PART NUMBER	DESCRIPTION	QUANTITY
<b>M 318 BOOM</b>	112-4231	CYL GP(ASSEMBLY)	1
	112-6413	CYL AS(TUBE)	1
	172-1026	ROD AS	1
	112-6418	HEAD	1
	127-6052	PISTON	1
	087-5507	STOP	1
	147-5835	LOCK NUT	1
	143-3840	BUSHING	1
	258-8502	BUSHING	1
	7Y-5216	BOLT	8
	258-0501	KIT SEAL	1
CYLINDER NAME	PART NUMBER	DESCRIPTION	QUANTITY
<b>M 318 C BUCKET</b>	183-8854/296-3240	CYL GP(ASSEMBLY)	1
	183-8858	CYL AS(TUBE)	1
	296-3264	ROD AS	1
	183-8878	HEAD	1
	147-5818	PISTON	1
	150-5814	STOP	1
	143-8150	LOCK NUT	1
	190-5335	BUSHING	1
	105-7366	BUSHING	1
	7Y-5216	BOLT	8
	179-9625	KIT SEAL	1
CYLINDER NAME	PART NUMBER	DESCRIPTION	QUANTITY
<b>M 318 C STICK</b>	183-8853/296-3238	CYL GP(ASSEMBLY)	1
	183-8857	CYL AS(TUBE)	1
	296-3262	ROD AS	1
	7I-1353	HEAD	1
	179-9770	PISTON	1
	103-8380	STOP	1
	7I-1351	STOP	1
	7Y-4622	LOCK NUT	1
	128-3031	BUSHING	2
	7Y-5216	BOLT	8
	215-9986	KIT SEAL	1
CYLINDER NAME	PART NUMBER	DESCRIPTION	QUANTITY
<b>M 318 D STICK</b>	368-3246	CYL GP(ASSEMBLY)	1
	368-3270	CYL AS(TUBE)	1
	368-6819	ROD AS	1
	374-9074	HEAD	1
	374-9055	PISTON	1
	103-8380	STOP	1
	7I-1351	STOP	1
	7Y-4622	LOCK NUT	1
	128-3031	BUSHING	2
	7Y-5216	BOLT	8
	215-9986	KIT SEAL	1

CYLINDER NAME	PART NUMBER	DESCRIPTION	QUANTITY
<b>M 322 D BOOM</b>	367-6470	CYL GP(ASSEMBLY)	1
	183-9005	CYL AS(TUBE)	1
	296-3257	ROD AS	1
	198-7258	HEAD	1
	158-9064	PISTON	1
	087-5431	STOP	1
	123-2060	LOCK NUT	1
	258-8508	BUSHING	1
	260-7271	BUSHING	1
	7Y-5215	BOLT	8
215-9985/158-9093	KIT SEAL	1	
CYLINDER NAME	PART NUMBER	DESCRIPTION	QUANTITY
<b>318 C BOOM</b>	194-8407	CYL GP(ASSEMBLY)	1
	200-3395	CYL AS(TUBE)	1
	200-3397/335-0037	ROD AS	1
	126-2043	HEAD	1
	229-1132	PISTON	1
	087-5507	STOP	1
	147-5835	LOCK NUT	1
	198-5509	BUSHING	1
	236-6268	BUSHING	1
	7Y-5216	BOLT	8
179-9634	KIT SEAL	1	
CYLINDER NAME	PART NUMBER	DESCRIPTION	QUANTITY
<b>313 F BUCKET</b>	385-2834	CYL GP(ASSEMBLY)	1
	390-4219	CYL AS(TUBE)	1
	390-4220	ROD AS	1
	390-4221	HEAD	1
	390-4225	PISTON	1
	3E-6910	BOLT	15
	229-1095	BUSHING	1
	248-7857	BUSHING	1
	390-4227	KIT SEAL	1
CYLINDER NAME	PART NUMBER	DESCRIPTION	QUANTITY
<b>318 C BUCKET</b>	283-6132	CYL GP(ASSEMBLY)	1
	165-9231	CYL AS(TUBE)	1
	283-6133	ROD AS	1
	126-2043	HEAD	1
	158-9062	PISTON	1
	147-5835	LOCK NUT	1
	163-3748	BUSHING	1
	240-2914	BUSHING	1
	7Y-5216	BOLT	8
236-6368	KIT SEAL	1	



CYLINDER NAME	PART NUMBER	DESCRIPTION	QUANTITY
<b>318 C STICK</b>	194-8410	CYL GP(ASSEMBLY)	1
	200-3398	CYL AS(TUBE)	1
	200-3400/342-1792	ROD AS	1
	7Y-4620	HEAD	1
	147-5851	PISTON	1
	087-5005	STOP	1
	103-8380	STOP	1
	7Y-4622	LOCK NUT	1
	236-6269/163-3747	BUSHING	2
	7Y-5216	BOLT	8
	215-9984	KIT SEAL	1
CYLINDER NAME	PART NUMBER	DESCRIPTION	QUANTITY
<b>320 B BOOM</b>	158-9058/289-7865/118-4128	CYL GP(ASSEMBLY)	1
	158-9120	CYL AS(TUBE)	1
	158-9122/289-7867	ROD AS	1
	126-2043	HEAD	1
	158-9062	PISTON	1
	087-5507	STOP	1
	087-5504	LOCK NUT	1
	163-3746	BUSHING	1
	163-3753	BUSHING	1
	7Y-5216	BOLT	8
	236-6368	KIT SEAL	1
CYLINDER NAME	PART NUMBER	DESCRIPTION	QUANTITY
<b>320 B BUCKET</b>	118-4134/118-3971	CYL GP(ASSEMBLY)	1
	165-9231	CYL AS(TUBE)	1
	165-9233	ROD AS	1
	126-2043	HEAD	1
	127-6052	PISTON	1
	147-5835	LOCK NUT	1
	236-6270	BUSHING	1
	240-2414	BUSHING	1
	7Y-5216	BOLT	8
	250-2487	KIT SEAL	1
CYLINDER NAME	PART NUMBER	DESCRIPTION	QUANTITY
<b>320 BL STICK</b>	118-4150/158-9059	CYL GP(ASSEMBLY)	1
	165-9226	CYL AS(TUBE)	1
	165-9228/289-7870	ROD AS	1
	087-5434	HEAD	1
	123-2061	PISTON	1
	087-5431	STOP	1
	103-8380	STOP	1
	123-2060	LOCK NUT	1
	236-6269/163-3747	BUSHING	2
	7Y-5215	BOLT	8
250-2485	KIT SEAL	1	

CYLINDER NAME	PART NUMBER	DESCRIPTION	QUANTITY
<b>320 BL STICK</b>	118-4156/158-9060	CYL GP(ASSEMBLY)	1
	165-9229	CYL AS(TUBE)	1
	165-9230/289-7874	ROD AS	1
	087-5434	HEAD	1
	123-2061	PISTON	1
	087-5431	STOP	1
	103-8380	STOP	1
	123-2060	LOCK NUT	1
	236-6269/163-3747	BUSHING	2
	7Y-5215	BOLT	8
	250-2485	KIT SEAL	1
CYLINDER NAME	PART NUMBER	DESCRIPTION	QUANTITY
<b>320 C BUCKET</b>	179-9764/289-7901	CYL GP(ASSEMBLY)	1
	179-9765	CYL AS(TUBE)	1
	179-9768/289-7902	ROD AS	1
	7I-1353	HEAD	1
	179-9770	PISTON	1
	7Y-4622	LOCK NUT	1
	236-6270	BUSHING	1
	240-2915	BUSHING	1
	7Y-5216	BOLT	8
	215-9986	KIT SEAL	1
CYLINDER NAME	PART NUMBER	DESCRIPTION	QUANTITY
<b>320 CL BOOM</b>	274-2510/289-7875	CYL GP(ASSEMBLY)	1
	158-9120	CYL AS(TUBE)	1
	158-9122/289-7867	ROD AS	1
	126-2043	HEAD	1
	158-9062	PISTON	1
	087-5507	STOP	1
	147-5835	LOCK NUT	1
	236-6268	BUSHING	1
	236-6271	BUSHING	1
	7Y-5216	BOLT	8
	274-2511	KIT SEAL	1
CYLINDER NAME	PART NUMBER	DESCRIPTION	QUANTITY
<b>320 CL BUCKET</b>	158-9061	CYL GP(ASSEMBLY)	1
	165-9231	CYL AS(TUBE)	1
	165-9233	ROD AS	1
	126-2043	HEAD	1
	158-9062	PISTON	1
	087-5504	LOCK NUT	1
	163-3748	BUSHING	1
	163-3751	BUSHING	1
	7Y-5216	BOLT	8
	236-6389	KIT SEAL	1

CYLINDER NAME	PART NUMBER	DESCRIPTION	QUANTITY
<b>320 CL STICK</b>	274-2514/289-7876	CYL GP(ASSEMBLY)	1
	165-9226	CYL AS(TUBE)	1
	165-9228/289-7870	ROD AS	1
	087-5434	HEAD	1
	158-9064	PISTON	1
	087-5431	STOP	1
	103-8380	STOP	1
	123-2060	LOCK NUT	1
	236-6269/163-3747	BUSHING	2
	7Y-5215	BOLT	8
	274-2515	KIT SEAL	1
CYLINDER NAME	PART NUMBER	DESCRIPTION	QUANTITY
<b>320 DL BOOM</b>	242-6731	CYL GP(ASSEMBLY)	1
	247-8866	CYL AS(TUBE)	1
	247-8867	ROD AS	1
	185-0334	HEAD	1
	247-8864	PISTON	1
	4I-8864	STOP	1
	241-7379	BUSHING	1
	241-7380	BUSHING	1
	8T-1447	BOLT	12
	247-8868	KIT SEAL	1
CYLINDER NAME	PART NUMBER	DESCRIPTION	QUANTITY
<b>CAT 320 DL BUCKET</b>	341-2814	CYL GP(ASSEMBLY)	1
	352-1100	CYL AS(TUBE)	1
	352-1106	ROD AS	1
	177-2611	HEAD	1
	247-8885	PISTON	1
	8T-1447	BOLT	12
	357-5712	BUSHING	1
	241-7382	BUSHING	1
	350-0967	KIT SEAL	1
CYLINDER NAME	PART NUMBER	DESCRIPTION	QUANTITY
<b>320 DL BUCKET</b>	242-6756	CYL GP(ASSEMBLY)	1
	247-8886	CYL AS(TUBE)	1
	247-8887	ROD AS	1
	177-2611	HEAD	1
	247-8885	PISTON	1
	235-7769	BUSHING	1
	241-7382	BUSHING	1
	8T-1447	BOLT	12
	247-8888	KIT SEAL	1

CYLINDER NAME	PART NUMBER	DESCRIPTION	QUANTITY
<b>320 DL STICK</b>	242-6734	CYL GP(ASSEMBLY)	1
	247-8876	CYL AS(TUBE)	1
	247-8877	ROD AS	1
	188-4181	HEAD	1
	247-8873	PISTON	1
	121-1549	STOP	1
	4I-8869	STOP	1
	241-7381	BUSHING	2
	4I-3628	BOLT	8
	247-8878	KIT SEAL	1
CYLINDER NAME	PART NUMBER	DESCRIPTION	QUANTITY
<b>CAT 320 GC STICK 490-4140</b>	490-4140	CYL GP(ASSEMBLY)	1
	495-1185	CYL AS(TUBE)	1
	495-1186	ROD AS	1
	519-7600	HEAD	1
	234-4582	PISTON	1
	526-4239	STOP	1
	526-4238	STOP	1
	357-5711	BUSHING	2
	240-2914	BUSHING	1
	4I-3628	BOLT	12
519-7601	KIT SEAL	1	
CYLINDER NAME	PART NUMBER	DESCRIPTION	QUANTITY
<b>320 L STICK</b>	087-5422	CYL GP(ASSEMBLY)	1
	087-5423	CYL AS(TUBE)	1
	103-8415	ROD AS	1
	087-5434	HEAD	1
	7I-7186	PISTON	1
	087-5431	STOP	1
	103-8380	STOP	1
	103-8418	LOCK NUT	1
	7Y-5128	BUSHING	2
	7Y-5215	BOLT	8
087-5387	KIT SEAL	1	
CYLINDER NAME	PART NUMBER	DESCRIPTION	QUANTITY
<b>322 BL BOOM</b>	118-4166/177-2440	CYL GP(ASSEMBLY)	1
	118-4167/185-0174	CYL AS(TUBE)	1
	7I-1354/185-0182	ROD AS	1
	7I-1353	HEAD	1
	7I-7183	PISTON	1
	7I-1351	STOP	1
	7Y-4622	LOCK NUT	1
	7Y-5102	BUSHING	1
	129-7769	BUSHING	1
	7Y-5216	BOLT	8
118-4175	KIT SEAL	1	

CYLINDER NAME	PART NUMBER	DESCRIPTION	QUANTITY
<b>322 BL STICK</b>	177-2443/289-7884	CYL GP(ASSEMBLY)	1
	185-0186	CYL AS(TUBE)	1
	185-0193/289-7886	ROD AS	1
	087-5434	HEAD	1
	158-9064	PISTON	1
	087-5431	STOP	1
	103-8380	STOP	1
	123-2060	LOCK NUT	1
	236-6269/163-3747	BUSHING	2
	7Y-5215	BOLT	8
	215-9985/158-9093	KIT SEAL	1
CYLINDER NAME	PART NUMBER	DESCRIPTION	QUANTITY
<b>322 CL BUCKET</b>	177-2446/289-7887	CYL GP(ASSEMBLY)	1
	185-0326	CYL AS(TUBE)	1
	185-0329	ROD AS	1
	7I-1353	HEAD	1
	179-9770	PISTON	1
	7Y-4622	LOCK NUT	1
	236-6270	BUSHING	1
	240-2915	BUSHING	1
	7Y-5216	BOLT	8
	215-9986	KIT SEAL	1
CYLINDER NAME	PART NUMBER	DESCRIPTION	QUANTITY
<b>322 CL STICK</b>	177-2443/289-7884	CYL GP(ASSEMBLY)	1
	185-0186	CYL AS(TUBE)	1
	185-0193/289-7886	ROD AS	1
	087-5434	HEAD	1
	158-9064	PISTON	1
	087-5431	STOP	1
	103-8380	STOP	1
	123-2060	LOCK NUT	1
	236-6269/163-3747	BUSHING	2
	7Y-5215	BOLT	8
	215-9985/158-9093	KIT SEAL	1
CYLINDER NAME	PART NUMBER	DESCRIPTION	QUANTITY
<b>322 L BUCKET</b>	7I-7291	CYL GP(ASSEMBLY)	1
	7I-7292	CYL AS(TUBE)	1
	7I-7297	ROD AS	1
	7Y-5130	HEAD	1
	7I-7183	PISTON	1
	7Y-4622	LOCK NUT	1
	7Y-5128	BUSHING	1
	7Y-5131	BUSHING	1
	7Y-5216	BOLT	8
	7Y-5145	KIT SEAL	1

CYLINDER NAME	PART NUMBER	DESCRIPTION	QUANTITY
<b>322 BL BOOM</b>	7I-1345	CYL GP(ASSEMBLY)	1
	7I-1346	CYL AS(TUBE)	1
	7I-1354/185-0182	ROD AS	1
	7I-1353	HEAD	1
	7I-7183	PISTON	1
	7I-1351	STOP	1
	7Y-4622	LOCK NUT	1
	107-6938	BUSHING	1
	7Y-5102	BUSHING	1
	7Y-5216	BOLT	8
	7I-1360	KIT SEAL	1
CYLINDER NAME	PART NUMBER	DESCRIPTION	QUANTITY
<b>322 LN STICK</b>	7I-7341	CYL GP(ASSEMBLY)	1
	7I-7342	CYL AS(TUBE)	1
	7I-7347	ROD AS	1
	087-5434	HEAD	1
	7I-7186	PISTON	1
	087-5431	STOP	1
	103-8380	STOP	1
	103-8418	LOCK NUT	1
	7Y-5128	BUSHING	2
	7Y-5215	BOLT	8
	118-4024	KIT SEAL	1
CYLINDER NAME	PART NUMBER	DESCRIPTION	QUANTITY
<b>323 DL BOOM</b>	289-7925	CYL GP(ASSEMBLY)	1
	323-3820	CYL AS(TUBE)	1
	289-7929	ROD AS	1
	126-2043	HEAD	1
	158-9062	PISTON	1
	087-5507	STOP	1
	147-5835	LOCK NUT	1
	141-7380	BUSHING	1
	241-7380	BUSHING	1
	7Y-5216	BOLT	8
247-8790	KIT SEAL	1	
CYLINDER NAME	PART NUMBER	DESCRIPTION	QUANTITY
<b>323 DL BUCKET</b>	242-6759	CYL GP(ASSEMBLY)	1
	247-8886	CYL AS(TUBE)	1
	247-8887	ROD AS	1
	177-2611	HEAD	1
	247-8885	PISTON	1
	235-7769	BUSHING	1
	241-7382	BUSHING	1
	8T-1447	BOLT	12
	266-7892	KIT SEAL	1

CYLINDER NAME	PART NUMBER	DESCRIPTION	QUANTITY
<b>323 DL BUCKET</b>	289-7948	CYL GP(ASSEMBLY)	1
	289-7949	CYL AS(TUBE)	1
	247-8751	ROD AS	1
	126-2043	HEAD	1
	158-9062	PISTON	1
	147-5835	LOCK NUT	1
	235-7769	BUSHING	1
	241-7382	BUSHING	1
	7Y-5216	BOLT	8
	247-8790	KIT SEAL	1
CYLINDER NAME	PART NUMBER	DESCRIPTION	QUANTITY
<b>323 D STICK</b>	289-7933	CYL GP(ASSEMBLY)	1
	323-3830	CYL AS(TUBE)	1
	289-7937	ROD AS	1
	087-5434	HEAD	1
	158-9064	PISTON	1
	087-5431	STOP	1
	103-8380	STOP	1
	123-2060	LOCK NUT	1
	240-2914	BUSHING	2
	7Y-5215	BOLT	8
247-8792	KIT SEAL	1	
CYLINDER NAME	PART NUMBER	DESCRIPTION	QUANTITY
<b>324 DL BOOM</b>	289-7957/242-6849	CYL GP(ASSEMBLY)	1
	247-8816	CYL AS(TUBE)	1
	247-8825/289-7963	ROD AS	1
	234-4486	HEAD	1
	234-4482	PISTON	1
	087-5005	STOP	1
	7Y-4622	LOCK NUT	1
	235-7771	BUSHING	1
	290-9181	BUSHING	1
	7Y-5216	BOLT	8
234-4488	KIT SEAL	1	
CYLINDER NAME	PART NUMBER	DESCRIPTION	QUANTITY
<b>324 DL BUCKET</b>	289-7948	CYL GP(ASSEMBLY)	1
	289-7949	CYL AS(TUBE)	1
	247-8751	ROD AS	1
	126-2043	HEAD	1
	158-9062	PISTON	1
	147-5835	LOCK NUT	1
	235-7769	BUSHING	1
	241-7382	BUSHING	1
	7Y-5216	BOLT	8
	247-8790	KIT SEAL	1

CYLINDER NAME	PART NUMBER	DESCRIPTION	QUANTITY
<b>324 DL BUCKET</b>	289-7975	CYL GP(ASSEMBLY)	1
	289-7976	CYL AS(TUBE)	1
	247-8812	ROD AS	1
	7I-1353	HEAD	1
	179-9770	PISTON	1
	7Y-4622	LOCK NUT	1
	235-7769	BUSHING	1
	240-2914	BUSHING	1
	7Y-5216	BOLT	8
	215-9986	KIT SEAL	1
CYLINDER NAME	PART NUMBER	DESCRIPTION	QUANTITY
<b>324 DL STICK</b>	242-6852/289-7967	CYL GP(ASSEMBLY)	1
	247-8798	CYL AS(TUBE)	1
	247-8802/289-7901	ROD AS	1
	087-5434	HEAD	1
	158-9064	PISTON	1
	087-5431	STOP	1
	103-8380	STOP	1
	123-2060	LOCK NUT	1
	241-7381	BUSHING	2
	7Y-5215	BOLT	8
247-8792	KIT SEAL	1	
CYLINDER NAME	PART NUMBER	DESCRIPTION	QUANTITY
<b>324 EL BUCKET</b>	340-8949/340-8948	CYL GP(ASSEMBLY)	1
	350-9337	CYL AS(TUBE)	1
	350-9342	ROD AS	1
	185-0194	HEAD	1
	259-0675	PISTON	1
	240-2914	BUSHING	1
	284-7313	BUSHING	1
	4I-3628	BOLT	12
350-0972	KIT SEAL	1	
CYLINDER NAME	PART NUMBER	DESCRIPTION	QUANTITY
<b>324 EL STICK</b>	340-8944	CYL GP(ASSEMBLY)	1
	350-9336	CYL AS(TUBE)	1
	350-9341	ROD AS	1
	188-4181	HEAD	1
	247-8873	PISTON	1
	121-1549	STOP	1
	4I-8869	STOP	1
	240-2914	BUSHING	2
	4I-3628	BOLT	12
	350-0970	KIT SEAL	1



CYLINDER NAME	PART NUMBER	DESCRIPTION	QUANTITY
325 B BUCKET	123-2044	CYL GP(ASSEMBLY)	1
	118-4011	CYL AS(TUBE)	1
	123-2045	ROD AS	1
	7I-1353	HEAD	1
	7I-7183	PISTON	1
	7Y-4622	LOCK NUT	1
	7Y-5128	BUSHING	1
	7Y-5131	BUSHING	1
	7Y-5216	BOLT	8
	176-4914	KIT SEAL	1
CYLINDER NAME	PART NUMBER	DESCRIPTION	QUANTITY
325 BL BOOM	114-0636/225-4572	CYL GP(ASSEMBLY)	1
	114-0637/234-4504	CYL AS(TUBE)	1
	123-2056/234-4508	ROD AS	1
	087-5434	HEAD	1
	158-9064	PISTON	1
	087-5431	STOP	1
	123-2060	LOCK NUT	1
	137-2817	BUSHING	1
	7Y-5102	BUSHING	1
	7Y-5215	BOLT	8
199-7427	KIT SEAL	1	
CYLINDER NAME	PART NUMBER	DESCRIPTION	QUANTITY
325 BL BUCKET	118-3921/177-2465	CYL GP(ASSEMBLY)	1
	118-3922	CYL AS(TUBE)	1
	7Y-5157	ROD AS	1
	7Y-4660	HEAD	1
	7I-7180	PISTON	1
	7Y-4695	LOCK NUT	1
	7Y-4666	BUSHING	1
	7Y-5102	BUSHING	1
	7Y-5215	BOLT	8
199-7416	KIT SEAL	1	
CYLINDER NAME	PART NUMBER	DESCRIPTION	QUANTITY
325 BL STICK	118-4000	CYL GP(ASSEMBLY)	1
	118-4001	CYL AS(TUBE)	1
	103-8381	ROD AS	1
	7Y-4660	HEAD	1
	7I-7180	PISTON	1
	103-8380	STOP	1
	7Y-4918	STOP	1
	7Y-4666	BUSHING	2
	7Y-5215	BOLT	8
199-7416	KIT SEAL	1	

CYLINDER NAME	PART NUMBER	DESCRIPTION	QUANTITY
<b>325 CL BOOM</b>	179-9782	CYL GP(ASSEMBLY)	1
	191-5734	CYL AS(TUBE)	1
	191-5735	ROD AS	1
	087-5434	HEAD	1
	158-9064	PISTON	1
	087-5431	STOP	1
	123-2060	LOCK NUT	1
	180-7576	BUSHING	1
	180-7577	BUSHING	1
	7Y-5215	BOLT	8
	215-9985/158-9093	KIT SEAL	1
CYLINDER NAME	PART NUMBER	DESCRIPTION	QUANTITY
<b>325 CL STICK</b>	179-9785/225-4575	CYL GP(ASSEMBLY)	1
	194-8315	CYL AS(TUBE)	1
	194-8321	ROD AS	1
	7Y-4660	HEAD	1
	188-4216	PISTON	1
	103-8380	STOP	1
	7Y-4918	STOP	1
	7Y-4695	LOCK NUT	1
	235-7770	BUSHING	1
	236-6273	BUSHING	1
	7Y-5215	BOLT	8
191-5619	KIT SEAL	1	
CYLINDER NAME	PART NUMBER	DESCRIPTION	QUANTITY
<b>325 DL ADJUSTMENT</b>	179-2998	CYL GP(ASSEMBLY)	1
	179-3008	CYL AS(TUBE)	1
	179-3007/297-9155	ROD AS	1
CYLINDER NAME	PART NUMBER	DESCRIPTION	QUANTITY
<b>325 DL BOOM</b>	295-9398	CYL GP(ASSEMBLY)	1
	289-7985	CYL AS(TUBE)	1
	289-8196	ROD AS	1
	087-5434	HEAD	1
	158-9064	PISTON	1
	087-5431	STOP	1
	123-2060	LOCK NUT	1
	228-5654	BUSHING	1
	235-7771	BUSHING	1
	7Y-5215	BOLT	8
	247-8792	KIT SEAL	1

CYLINDER NAME	PART NUMBER	DESCRIPTION	QUANTITY
<b>325 DL BUCKET</b>	225-4578	CYL GP(ASSEMBLY)	1
	234-4465	CYL AS(TUBE)	1
	234-4477	ROD AS	1
	234-4486	HEAD	1
	234-4482	PISTON	1
	7Y-4622	LOCK NUT	1
	228-5615	BUSHING	1
	235-7769	BUSHING	1
	7Y-5216	BOLT	8
	234-4488	KIT SEAL	1
CYLINDER NAME	PART NUMBER	DESCRIPTION	QUANTITY
<b>325 DL STICK</b>	289-7994/225-4575	CYL GP(ASSEMBLY)	1
	289-7995/234-4509	CYL AS(TUBE)	1
	289-8000/266-7839	ROD AS	1
	7Y-4660	HEAD	1
	188-4216	PISTON	1
	103-8380	STOP	1
	7Y-4918	STOP	1
	7Y-4695	LOCK NUT	1
	235-7770	BUSHING	2
	7Y-5215	BOLT	8
242-6840	KIT SEAL	1	
CYLINDER NAME	PART NUMBER	DESCRIPTION	QUANTITY
<b>325 L STICK</b>	7Y-4650	CYL GP(ASSEMBLY)	1
	4I-1616	CYL AS(TUBE)	1
	103-8381	ROD AS	1
	7Y-4660	HEAD	1
	7I-7180	PISTON	1
	103-8380	STOP	1
	7Y-4918	STOP	1
	7Y-4695	LOCK NUT	1
	7Y-4666		2
	7Y-5215	BOLT	8
7Y-4698	KIT SEAL	1	
CYLINDER NAME	PART NUMBER	DESCRIPTION	QUANTITY
<b>326 D2L STICK</b>	340-8944	CYL GP(ASSEMBLY)	1
	350-9336	CYL AS(TUBE)	1
	350-9341	ROD AS	1
	188-4181	HEAD	1
	247-8873	PISTON	1
	4I-8869	STOP	1
	121-1549	STOP	1
	240-2914	BUSHING	2
	4I-3628	BOLT	12
	456-0204	KIT SEAL	1

CYLINDER NAME	PART NUMBER	DESCRIPTION	QUANTITY
<b>329 DL BOOM</b>	295-9398	CYL GP(ASSEMBLY)	1
	289-7985	CYL AS(TUBE)	1
	289-8196	ROD AS	1
	087-5434	HEAD	1
	158-9064	PISTON	1
	087-5431	STOP	1
	123-2060	LOCK NUT	1
	228-5654	BUSHING	1
	235-7771/290-9181	BUSHING	1
	7Y-5215	BOLT	8
	247-8792	KIT SEAL	1
CYLINDER NAME	PART NUMBER	DESCRIPTION	QUANTITY
<b>329 DL BUCKET</b>	289-8004	CYL GP(ASSEMBLY)	1
	289-8005	CYL AS(TUBE)	1
	234-4477	ROD AS	1
	334-4486	HEAD	1
	234-4482	PISTON	1
	7Y-4622	LOCK NUT	1
	228-5615	BUSHING	1
	235-7769	BUSHING	1
	7Y-5216	BOLT	8
234-4488	KIT SEAL	1	
CYLINDER NAME	PART NUMBER	DESCRIPTION	QUANTITY
<b>329 DL BUCKET</b>	349-4152	CYL GP(ASSEMBLY)	1
	234-4588	CYL AS(TUBE)	1
	234-4589	ROD AS	1
	234-4580	HEAD	1
	234-4582	PISTON	1
	228-5615	BUSHING	1
	235-7769	BUSHING	1
	4I-3628	BOLT	12
350-0976	KIT SEAL	1	
CYLINDER NAME	PART NUMBER	DESCRIPTION	QUANTITY
<b>329 L STICK</b>	349-4148	CYL GP(ASSEMBLY)	1
	234-4577	CYL AS(TUBE)	1
	234-4578	ROD AS	1
	194-8353	HEAD	1
	234-4573	PISTON	1
	121-1548	STOP	1
	121-1549	STOP	1
	235-7770	BUSHING	2
	9X-2404	BOLT	12
	350-0974	KIT SEAL	1

CYLINDER NAME	PART NUMBER	DESCRIPTION	QUANTITY
<b>330 BL BOOM</b>	116-3578/311-9507	CYL GP(ASSEMBLY)	1
	191-5555/311-9508	CYL AS(TUBE)	1
	7Y-4914	ROD AS	1
	7Y-4660	HEAD	1
	7I-7180	PISTON	1
	6I-6798	STOP	1
	7Y-4695	LOCK NUT	1
	236-6277	BUSHING	1
	7Y-2397	BUSHING	1
	7Y-5215	BOLT	8
	199-7416	KIT SEAL	1
CYLINDER NAME	PART NUMBER	DESCRIPTION	QUANTITY
<b>330 BL BUCKET</b>	118-3935	CYL GP(ASSEMBLY)	1
	118-3936	CYL AS(TUBE)	1
	247-8904	ROD AS	1
	087-5551	HEAD	1
	123-2111	PISTON	1
	123-2112	LOCK NUT	1
	087-5533	BUSHING	1
	087-5548	BUSHING	1
	7Y-5239	BOLT	8
	215-9989	KIT SEAL	1
CYLINDER NAME	PART NUMBER	DESCRIPTION	QUANTITY
<b>330 BL BUCKET</b>	143-3199	CYL GP(ASSEMBLY)	1
	188-4211	CYL AS(TUBE)	1
	247-8856	ROD AS	1
	7Y-4660	HEAD	1
	7I-7180	PISTON	1
	7Y-4695	LOCK NUT	1
	7Y-4666	BUSHING	1
	7Y-5102	BUSHING	1
	7Y-5215	BOLT	8
	308-7824	KIT SEAL	1
CYLINDER NAME	PART NUMBER	DESCRIPTION	QUANTITY
<b>330 BL STICK</b>	191-3118/116-3638	CYL GP(ASSEMBLY)	1
	289-7798	CYL AS(TUBE)	1
	191-3119	ROD AS	1
	7Y-4932	HEAD	1
	7I-7181	PISTON	1
	107-6933	STOP	1
	7Y-4936	STOP	1
	7Y-4956	LOCK NUT	1
	7Y-4939	BUSHING	2
	7Y-5239	BOLT	8
	199-7417	KIT SEAL	1

CYLINDER NAME	PART NUMBER	DESCRIPTION	QUANTITY
<b>330 CL ADJUSTMENT</b>	179-3043/297-9151	CYL GP(ASSEMBLY)	1
	179-3044	CYL AS(TUBE)	1
	179-3045	ROD AS	1
CYLINDER NAME	PART NUMBER	DESCRIPTION	QUANTITY
<b>330 CL BOOM</b>	191-5548/250-2419	CYL GP(ASSEMBLY)	1
	191-5555/311-9508	CYL AS(TUBE)	1
	191-5563	ROD AS	1
	7Y-4660	HEAD	1
	188-4216	PISTON	1
	6I-6798	STOP	1
	7Y-4695	LOCK NUT	1
	192-8315	BUSHING	1
	192-8316	BUSHING	1
	7Y-5215	BOLT	8
191-5619	KIT SEAL	1	
CYLINDER NAME	PART NUMBER	DESCRIPTION	QUANTITY
<b>330 CL BUCKET</b>	191-5554	CYL GP(ASSEMBLY)	1
	194-8341	CYL AS(TUBE)	1
	247-8904	ROD AS	1
	087-5551	HEAD	1
	185-0232	PISTON	1
	123-2112	LOCK NUT	1
	087-5548	BUSHING	1
	192-8313	BUSHING	1
	7Y-5239	BOLT	8
	215-9988	KIT SEAL	1
CYLINDER NAME	PART NUMBER	DESCRIPTION	QUANTITY
<b>330 CL STICK</b>	191-5551/289-7763	CYL GP(ASSEMBLY)	1
	191-5620/289-7764	CYL AS(TUBE)	1
	242-6811	ROD AS	1
	191-5602	HEAD	1
	191-5603	PISTON	1
	107-6933	STOP	1
	191-5705	STOP	1
	7Y-4956	LOCK NUT	1
	236-6275	BUSHING	1
	241-7342	BUSHING	1
	7Y-5239	BOLT	8
	231-6844	KIT SEAL	1

CYLINDER NAME	PART NUMBER	DESCRIPTION	QUANTITY
<b>330 DL BOOM</b>	234-4608	CYL GP(ASSEMBLY)	1
	242-6795	CYL AS(TUBE)	1
	242-6799	ROD AS	1
	7Y-4660	HEAD	1
	188-4216	PISTON	1
	6I-6798	STOP	1
	7Y-4695	LOCK NUT	1
	241-7340	BUSHING	1
	241-7341	BUSHING	1
	7Y-5215	BOLT	8
	250-2475	KIT SEAL	1
CYLINDER NAME	PART NUMBER	DESCRIPTION	QUANTITY
<b>330 DL BUCKET</b>	234-4614/315-4471	CYL GP(ASSEMBLY)	1
	259-0825	CYL AS(TUBE)	1
	247-8904	ROD AS	1
	087-5551	HEAD	1
	185-0232	PISTON	1
	123-2112	LOCK NUT	1
	087-5548	BUSHING	1
	260-2552	BUSHING	1
	7Y-5239	BOLT	8
194-8235	KIT SEAL	1	
CYLINDER NAME	PART NUMBER	DESCRIPTION	QUANTITY
<b>330 DL STICK</b>	289-8031	CYL GP(ASSEMBLY)	1
	289-8032	CYL AS(TUBE)	1
	289-8037	ROD AS	1
	191-5602	HEAD	1
	191-5603	PISTON	1
	107-6933	STOP	1
	191-5705	STOP	1
	7Y-4956	LOCK NUT	1
	241-7342	BUSHING	2
	7Y-5239	BOLT	8
	231-6844	KIT SEAL	1
CYLINDER NAME	PART NUMBER	DESCRIPTION	QUANTITY
<b>330 L BOOM</b>	7Y-4906	CYL GP(ASSEMBLY)	1
	4I-0723	CYL AS(TUBE)	1
	7Y-4914	ROD AS	1
	7Y-4660	HEAD	1
	7I-7180	PISTON	1
	6I-6798	STOP	1
	7Y-4695	LOCK NUT	1
	4I-0862	BUSHING	1
	7Y-2397	BUSHING	1
	7Y-5215	BOLT	8
	7Y-4698	KIT SEAL	1

CYLINDER NAME	PART NUMBER	DESCRIPTION	QUANTITY
<b>330 L STICK</b>	7Y-4926	CYL GP(ASSEMBLY)	1
	4I-1524	CYL AS(TUBE)	1
	103-8346	ROD AS	1
	7Y-4932	HEAD	1
	7I-7181	PISTON	1
	107-6963	STOP	1
	7Y-4936	STOP	1
	7Y-4956	LOCK NUT	1
	7Y-4939	BUSHING	2
	7Y-5239	BOLT	8
	7Y-4970	KIT SEAL	1
CYLINDER NAME	PART NUMBER	DESCRIPTION	QUANTITY
<b>336 DL BOOM</b>	311-9524/311-9526	CYL GP(ASSEMBLY)	1
	311-9518/311-9527	CYL AS(TUBE)	1
	289-8027	ROD AS	1
	7Y-4660	HEAD	1
	188-4216	PISTON	1
	6I-6798	STOP	1
	7Y-4695	LOCK NUT	1
	241-7340	BUSHING	1
	241-7341	BUSHING	1
	7Y-5215	BOLT	8
	250-2475	KIT SEAL	1
CYLINDER NAME	PART NUMBER	DESCRIPTION	QUANTITY
<b>336 DL BUCKET</b>	315-4442/225-4581	CYL GP(ASSEMBLY)	1
	315-4443/315-4452	CYL AS(TUBE)	1
	242-6787	ROD AS	1
	7Y-4660	HEAD	1
	188-4216	PISTON	1
	7Y-4695	LOCK NUT	1
	228-5617	BUSHING	1
	235-7770	BUSHING	1
	7Y-5215	BOLT	8
	191-5619	KIT SEAL	1



CYLINDER NAME	PART NUMBER	DESCRIPTION	QUANTITY
<b>336 DL BUCKET</b>	315-4463	CYL GP(ASSEMBLY)	1
	315-4464	CYL AS(TUBE)	1
	247-8904	ROD AS	1
	087-5551	HEAD	1
	185-0232	PISTON	1
	123-2112	LOCK NUT	1
	087-5548	BUSHING	1
	260-2252	BUSHING	1
	7Y-5239	BOLT	8
	225-4625	KIT SEAL	1
CYLINDER NAME	PART NUMBER	DESCRIPTION	QUANTITY
<b>336 DL STICK</b>	283-6188/234-4601	CYL GP(ASSEMBLY)	1
	283-6189	CYL AS(TUBE)	1
	242-6811	ROD AS	1
	191-5602	HEAD	1
	191-5603	PISTON	1
	107-6933	STOP	1
	191-5705	STOP	1
	7Y-4956	LOCK NUT	1
	241-7342	BUSHING	2
	7Y-5239	BOLT	8
231-6844	KIT SEAL	1	
CYLINDER NAME	PART NUMBER	DESCRIPTION	QUANTITY
<b>345 B BOOM</b>	155-3737	CYL GP(ASSEMBLY)	1
	129-7879	CYL AS(TUBE)	1
	129-7885/191-3128	ROD AS	1
	087-5551	HEAD	1
	123-2111	PISTON	1
	126-2084	STOP	1
	123-2112	LOCK NUT	1
	241-3420	BUSHING	1
	148-3091	BUSHING	1
	7Y-5239	BOLT	8
204-2721	KIT SEAL	1	
CYLINDER NAME	PART NUMBER	DESCRIPTION	QUANTITY
<b>345 B BUCKET</b>	129-7835/200-3525	CYL GP(ASSEMBLY)	1
	129-7866	CYL AS(TUBE)	1
	247-8897	ROD AS	1
	7Y-4932	HEAD	1
	7I-7181	PISTON	1
	7Y-4956	LOCK NUT	1
	087-5379	BUSHING	1
	4I-1520	BUSHING	1
	7Y-5239	BOLT	8
	215-9990	KIT SEAL	1

CYLINDER NAME	PART NUMBER	DESCRIPTION	QUANTITY
<b>345 B STICK</b>	129-7832	CYL GP(ASSEMBLY)	1
	129-7893	CYL AS(TUBE)	1
	129-7898	ROD AS	1
	126-2047	HEAD	1
	126-1973	PISTON	1
	087-5390	STOP	1
	103-8353	STOP	1
	126-1971	LOCK NUT	1
	126-1956	BUSHING	2
	7X-2489	BOLT	10
	126-1979	KIT SEAL	1
CYLINDER NAME	PART NUMBER	DESCRIPTION	QUANTITY
<b>345 CL ADJUSTMENT</b>	297-9152	CYL GP(ASSEMBLY)	1
	7Y-1866	CYL AS(TUBE)	1
	297-9157	ROD AS	1
CYLINDER NAME	PART NUMBER	DESCRIPTION	QUANTITY
<b>345 CL BOOM</b>	225-4523	CYL GP(ASSEMBLY)	1
	225-4617	CYL AS(TUBE)	1
	234-4463	ROD AS	1
	087-5551	HEAD	1
	185-0232	PISTON	1
	126-2084	STOP	1
	123-2112	LOCK NUT	1
	228-5620	BUSHING	1
	235-7527	BUSHING	1
	7Y-5239	BOLT	8
225-4625	KIT SEAL	1	
CYLINDER NAME	PART NUMBER	DESCRIPTION	QUANTITY
<b>345 CL BUCKET</b>	225-4532	CYL GP(ASSEMBLY)	1
	234-4516	CYL AS(TUBE)	1
	247-8897	ROD AS	1
	7Y-4932	HEAD	1
	191-5603	PISTON	1
	7Y-4956	LOCK NUT	1
	087-5379	BUSHING	1
	4I-1520	BUSHING	1
	7Y-5239	BOLT	8
234-4422	KIT SEAL	1	

CYLINDER NAME	PART NUMBER	DESCRIPTION	QUANTITY
<b>345 CL STICK</b>	225-4526	CYL GP(ASSEMBLY)	1
	225-4626	CYL AS(TUBE)	1
	283-5962	ROD AS	1
	126-2047	HEAD	1
	204-2844	PISTON	1
	087-5390	STOP	1
	103-8353	STOP	1
	126-1971	LOCK NUT	1
	126-1956	BUSHING	1
	228-5628	BUSHING	1
	7X-2489	BOLT	10
	225-4646	KIT SEAL	1
CYLINDER NAME	PART NUMBER	DESCRIPTION	QUANTITY
<b>345/349 DL BOOM</b>	225-4523	CYL GP(ASSEMBLY)	1
	225-4617	CYL AS(TUBE)	1
	234-4463	ROD AS	1
	087-5551	HEAD	1
	185-0232	PISTON	1
	126-2084	STOP	1
	123-2112	LOCK NUT	1
	228-5620	BUSHING	1
	235-7527	BUSHING	1
	7Y-5239	BOLT	8
	225-4625	KIT SEAL	1
CYLINDER NAME	PART NUMBER	DESCRIPTION	QUANTITY
<b>345/349 DL BUCKET</b>	274-2456/225-4529	CYL GP(ASSEMBLY)	1
	118-3936	CYL AS(TUBE)	1
	247-8904	ROD AS	1
	087-5551	HEAD	1
	185-0232	PISTON	1
	123-2112	LOCK NUT	1
	087-5533	BUSHING	1
	087-5548	BUSHING	1
	7Y-5239	BOLT	8
247-2460/225-4625	KIT SEAL	1	
CYLINDER NAME	PART NUMBER	DESCRIPTION	QUANTITY
<b>345/349 DL BUCKET</b>	225-4532	CYL GP(ASSEMBLY)	1
	234-4516	CYL AS(TUBE)	1
	247-8897	ROD AS	1
	7Y-4932	HEAD	1
	191-5603	PISTON	1
	7Y-4956	LOCK NUT	1
	087-5379	BUSHING	1
	4I-1520	BUSHING	1
	7Y-5239	BOLT	8
	234-4422	KIT SEAL	1

CYLINDER NAME	PART NUMBER	DESCRIPTION	QUANTITY
<b>345 GC BUCKET</b>	545-9098	CYL GP(ASSEMBLY)	1
	559-7587	CYL AS(TUBE)	1
	559-7588	ROD AS	1
	559-7589	HEAD	1
	559-9860	PISTON	1
	559-9864	LOCK NUT	1
	462-2007	BUSHING	1
	462-2004	BUSHING	1
	561-6599	BOLT	14
	559-7590	KIT SEAL	1
CYLINDER NAME	PART NUMBER	DESCRIPTION	QUANTITY
<b>345/349 DL STICK</b>	225-4526	CYL GP(ASSEMBLY)	1
	225-4626	CYL AS(TUBE)	1
	283-5962	ROD AS	1
	126-2047	HEAD	1
	204-2844	PISTON	1
	087-5390	STOP	1
	103-8353	STOP	1
	126-1971	LOCK NUT	1
	126-1956	BUSHING	1
	228-5628	BUSHING	1
	7X-2489	BOLT	10
	225-4646	KIT SEAL	1
CYLINDER NAME	PART NUMBER	DESCRIPTION	QUANTITY
<b>349 EL-VG STICK</b>	370-6692	CYL GP(ASSEMBLY)	1
	358-8462	CYL AS(TUBE)	1
	283-5962/225-4633/358-8472	ROD AS	1
	370-6693	HEAD	1
	358-8478	PISTON	1
	359-7190	STOP	1
	359-7189	STOP	1
	126-1971	LOCK NUT	1
	228-5618	BUSHING	1
	126-1956	BUSHING	1
	7X-2489	BOLT	10
	379-9497	KIT SEAL	1
CYLINDER NAME	PART NUMBER	DESCRIPTION	QUANTITY
<b>365 B BOOM</b>	204-2823	CYL GP(ASSEMBLY)	1
	204-2824	CYL AS(TUBE)	1
	215-9867	ROD AS	1
	126-2047	HEAD	1
	204-2844	PISTON	1
	087-5390	STOP	1
	126-1971	LOCK NUT	1
	148-3381	BUSHING	1
	153-1727	BUSHING	1
	7X-2489	BOLT	10
225-4646	KIT SEAL	1	

CYLINDER NAME	PART NUMBER	DESCRIPTION	QUANTITY
<b>365 B BUCKET</b>	143-8007	CYL GP(ASSEMBLY)	1
	147-5742	CYL AS(TUBE)	1
	147-5748	ROD AS	1
	147-5739	HEAD	1
	147-5737	PISTON	1
	116-3513	LOCK NUT	1
	6E-0813	BUSHING	1
	9T-8511	BUSHING	1
	6V-8132	BOLT	11
	215-9995	KIT SEAL	1
CYLINDER NAME	PART NUMBER	DESCRIPTION	QUANTITY
<b>365 CL STICK</b>	179-9794/317-8432	CYL GP(ASSEMBLY)	1
	158-9116/342-2073	CYL AS(TUBE)	1
	179-9795/326-4409	ROD AS	1
	147-5739	HEAD	1
	147-5737	PISTON	1
	147-5766	STOP	1
	4I-7828	STOP	1
	116-3513	LOCK NUT	1
	6E-0781	BUSHING	2
	6V-8132	BOLT	11
215-9995	KIT SEAL	1	
CYLINDER NAME	PART NUMBER	DESCRIPTION	QUANTITY
<b>365 CL ADJUSTMENT</b>	136-2430	CYL GP(ASSEMBLY)	1
	136-2441	CYL AS(TUBE)	1
	136-2442	ROD AS	1
CYLINDER NAME	PART NUMBER	DESCRIPTION	QUANTITY
<b>374 DL BOOM</b>	353-6907	CYL GP(ASSEMBLY)	1
	253-6909	CYL AS(TUBE)	1
	215-9867	ROD AS	1
	126-2047	HEAD	1
	204-2844	PISTON	1
	087-5390	STOP	1
	126-1971	LOCK NUT	1
	148-3381	BUSHING	1
	234-3748	BUSHING	1
	7X-2489	BOLT	10
	225-4646	KIT SEAL	1

CYLINDER NAME	PART NUMBER	DESCRIPTION	QUANTITY
<b>374 DL BUCKET</b>	361-0718	CYL GP(ASSEMBLY)	1
	361-0719	CYL AS(TUBE)	1
	361-1555	ROD AS	1
	147-5739	HEAD	1
	315-3344	PISTON	1
	116-3513	LOCK NUT	1
	198-5529	BUSHING	1
	6E-0813	BUSHING	1
	8T-0363	BOLT	11
	215-9995	KIT SEAL	1
CYLINDER NAME	PART NUMBER	DESCRIPTION	QUANTITY
<b>374 DL STICK</b>	365-2819/353-5691	CYL GP(ASSEMBLY)	1
	353-5690	CYL AS(TUBE)	1
	327-8206	ROD AS	1
	365-2817	HEAD	1
	155-9092	PISTON	1
	147-5766	STOP	1
	155-9095	STOP	1
	188-4192	LOCK NUT	1
	6E-0781	BUSHING	2
	9X-6618	BOLT	11
215-9999	KIT SEAL	1	
CYLINDER NAME	PART NUMBER	DESCRIPTION	QUANTITY
<b>374 FL BUCKET</b>	417-6665	CYL GP(ASSEMBLY)	1
	362-4928	CYL AS(TUBE)	1
	417-6663	ROD AS	1
	209-6026	HEAD	1
	147-5737	PISTON	1
	116-3513	LOCK NUT	1
	6E-0813	BUSHING	1
	198-5526	BUSHING	1
	177-9754	BOLT	11
	370-1940	KIT SEAL	1
CYLINDER NAME	PART NUMBER	DESCRIPTION	QUANTITY
<b>374 FL STICK</b>	362-8488	CYL GP(ASSEMBLY)	1
	353-5690	CYL AS(TUBE)	1
	327-8206	ROD AS	1
	365-2817	HEAD	1
	155-9092	PISTON	1
	155-9095	STOP	1
	147-5766	STOP	1
	188-4192	LOCK NUT	1
	6E-0782	BUSHING	2
	177-9754	BOLT	11
	370-1871	KIT SEAL	1

CYLINDER NAME	PART NUMBER	DESCRIPTION	QUANTITY
<b>375 BOOM</b>	114-0596/234-4662	CYL GP(ASSEMBLY)	1
	114-0597	CYL AS(TUBE)	1
	116-3512	ROD AS	1
	102-0817	HEAD	1
	116-3514	PISTON	1
	4I-7828	STOP	1
	116-3513	LOCK NUT	1
	114-0600	BUSHING	1
	6E-0787	BUSHING	1
	7X-2454	BOLT	11
156-0626	KIT SEAL	1	
CYLINDER NAME	PART NUMBER	DESCRIPTION	QUANTITY
<b>375 L BUCKET</b>	6E-0020/156-0697	CYL GP(ASSEMBLY)	1
	6E-0817	CYL AS(TUBE)	1
	156-0698/116-3521	ROD AS	1
	103-8361	HEAD	1
	116-3517	PISTON	1
	116-3516	LOCK NUT	1
	6E-0781	BUSHING	1
	6E-0886	BUSHING	1
	8T-0668	BOLT	12
	116-3529	KIT SEAL	1
CYLINDER NAME	PART NUMBER	DESCRIPTION	QUANTITY
<b>375 L STICK</b>	6E-0019/156-0664	CYL GP(ASSEMBLY)	1
	6E-0488	CYL AS(TUBE)	1
	142-5151/156-0680	ROD AS	1
	103-8361	HEAD	1
	116-3517	PISTON	1
	116-3518	STOP	1
	7I-8122	STOP	1
	116-3516	LOCK NUT	1
	4I-6329	LOCK NUT	1
	6E-0781	BUSHING	2
	7X-2454	BOLT	12
116-3529	KIT SEAL	1	
CYLINDER NAME	PART NUMBER	DESCRIPTION	QUANTITY
<b>375 L ADJUSTMENT</b>	7Y-0858	CYL GP(ASSEMBLY)	1
	7Y-2186	CYL AS(TUBE)	1
	7Y-0880	ROD AS	1

CYLINDER NAME	PART NUMBER	DESCRIPTION	QUANTITY
<b>385 C FS MASTER</b>	4I-5693 / 374-4298	CYL GP(ASSEMBLY)	1
	4I-5694	CYL AS(TUBE)	1
	4I-5699	ROD AS	1
	121-1592	HEAD	1
	4I-6409	PISTON	1
	4J-6888	LOCK NUT	1
	7Y-5102	BUSHING	1
	6J-3913	BOLT	10
	121-1597	KIT SEAL	1
CYLINDER NAME	PART NUMBER	DESCRIPTION	QUANTITY
<b>385 C FS BOOM</b>	185-0165 / 491-4653	CYL GP(ASSEMBLY)	1
	491-4654 / 188-4075	CYL AS(TUBE)	1
	188-4082	ROD AS	1
	087-5395	HEAD	1
	143-8137	PISTON	1
	087-5385	LOCK NUT	1
	172-2997	BUSHING	1
	6E-0787	BUSHING	1
	7Y-5239	BOLT	11
215-9996	KIT SEAL	1	
CYLINDER NAME	PART NUMBER	DESCRIPTION	QUANTITY
<b>385 C BOOM</b>	155-9068	CYL GP(ASSEMBLY)	1
	322-8719	CYL AS(TUBE)	1
	155-9087	ROD AS	1
	155-9097	HEAD	1
	155-9092	PISTON	1
	155-9095	STOP	1
	188-4192	LOCK NUT	1
	172-2997	BUSHING	1
	244-4258	BUSHING	1
	7X-2489	BOLT	11
	204-2726	KIT SEAL	1
CYLINDER NAME	PART NUMBER	DESCRIPTION	QUANTITY
<b>385 C FS BUCKET</b>	121-1518	CYL GP(ASSEMBLY)	1
	121-1519	CYL AS(TUBE)	1
	121-1523	ROD AS	1
	121-1509	HEAD	1
	121-1525	PISTON	1
	7Y-4622	LOCK NUT	1
	7Y-2397	BUSHING	1
	7Y-5102	BUSHING	1
	7Y-5215	BOLT	8
	252-6101	KIT SEAL	1



CYLINDER NAME	PART NUMBER	DESCRIPTION	QUANTITY
<b>385 C FS BUCKET</b>	105-7485	CYL GP(ASSEMBLY)	1
	105-7486	CYL AS(TUBE)	1
	364-1120	ROD AS	1
	121-1600	HEAD	1
	4I-3919	PISTON	1
	7J-9250	LOCK NUT	1
	6E-0787	BUSHING	1
	9T-8511	BUSHING	1
	9F-6936	BOLT	8
	121-1605	KIT SEAL	1
CYLINDER NAME	PART NUMBER	DESCRIPTION	QUANTITY
<b>385 CL BUCKET</b>	155-9077	CYL GP(ASSEMBLY)	1
	170-9914	CYL AS(TUBE)	1
	155-9171	ROD AS	1
	103-8361	HEAD	1
	215-9972	PISTON	1
	116-3516	LOCK NUT	1
	172-2848	BUSHING	1
	6E-0886	BUSHING	1
	8T-0363	BOLT	11
	216-0000	KIT SEAL	1
CYLINDER NAME	PART NUMBER	DESCRIPTION	QUANTITY
<b>385 C FS STICK</b>	209-2917	CYL GP(ASSEMBLY)	1
	209-2918	CYL AS(TUBE)	1
	383-2555	ROD AS	1
	173-3366	HEAD	1
	215-9972	PISTON	1
	191-5704	STOP	1
	116-3518	STOP	1
	116-3516	LOCK NUT	1
	376-2115	LOCK NUT	1
	6E-0781	BUSHING	2
	177-9754	BOLT	12
	216-0000	KIT SEAL	1
CYLINDER NAME	PART NUMBER	DESCRIPTION	QUANTITY
<b>385 CL STICK</b>	315-3375	CYL GP(ASSEMBLY)	1
	283-6093	CYL AS(TUBE)	1
	315-3374	ROD AS	1
	173-3366	HEAD	1
	215-9972	PISTON	1
	116-3518	STOP	1
	191-5704	STOP	1
	116-3516	LOCK NUT	1
	4I-6329	LOCK NUT	1
	172-2848	BUSHING	2
	9X-6618	BOLT	12
	216-0000	KIT SEAL	1

CYLINDER NAME	PART NUMBER	DESCRIPTION	QUANTITY
<b>385 CL ADJUSTMENT</b>	297-9154	CYL GP(ASSEMBLY)	1
	168-6744	CYL AS(TUBE)	1
	297-9158	ROD AS	1
CYLINDER NAME	PART NUMBER	DESCRIPTION	QUANTITY
<b>390 DL BOOM</b>	353-9616	CYL GP(ASSEMBLY)	1
	353-9617	CYL AS(TUBE)	1
	155-9087	ROD AS	1
	155-9097	HEAD	1
	155-9092	PISTON	1
	155-9095	STOP	1
	188-4192	LOCK NUT	1
	172-2997	BUSHING	1
	244-4258	BUSHING	1
	7X-2489	BOLT	11
215-9999	KIT SEAL	1	
CYLINDER NAME	PART NUMBER	DESCRIPTION	QUANTITY
<b>390 DL BUCKET</b>	361-2862	CYL GP(ASSEMBLY)	1
	361-2827	CYL AS(TUBE)	1
	361-2830	ROD AS	1
	173-3366	HEAD	1
	215-9972	PISTON	1
	116-3516	LOCK NUT	1
	172-2848	BUSHING	1
	308-8824	BUSHING	1
	9X-6618	BOLT	12
	216-0000	KIT SEAL	1
CYLINDER NAME	PART NUMBER	DESCRIPTION	QUANTITY
<b>390 DL STICK</b>	353-9625	CYL GP(ASSEMBLY)	1
	353-9626	CYL AS(TUBE)	1
	317-8415	ROD AS	1
	173-3366	HEAD	1
	215-9972	PISTON	1
	116-3518	STOP	1
	191-5704	STOP	1
	116-3516	LOCK NUT	1
	317-8434	LOCK NUT	1
	172-2848	BUSHING	2
	9X-6618	BOLT	12
	216-4000	KIT SEAL	1

CYLINDER NAME	PART NUMBER	DESCRIPTION	QUANTITY
<b>390 F BOOM</b>	362-9780	CYL GP(ASSEMBLY)	1
	153-9617	CYL AS(TUBE)	1
	420-8988	ROD AS	1
	423-8109	HEAD	1
	433-5663	PISTON	1
	383-8636	STOP	1
	188-4192	LOCK NUT	1
	244-4258	BUSHING	1
	172-2997	BUSHING	1
	173-9684	BOLT	11
	370-1871	KIT SEAL	1
CYLINDER NAME	PART NUMBER	DESCRIPTION	QUANTITY
<b>390 F BUCKET</b>	362-4589	CYL GP(ASSEMBLY)	1
	362-4564	CYL AS(TUBE)	1
	361-2830	ROD AS	1
	421-1899	HEAD	1
	433-5664	PISTON	1
	116-3516	LOCK NUT	1
	308-8824	BUSHING	1
	172-2848	BUSHING	1
	177-9754	BOLT	12
	370-1869	KIT SEAL	1
CYLINDER NAME	PART NUMBER	DESCRIPTION	QUANTITY
<b>390 F STICK</b>	363-1685	CYL GP(ASSEMBLY)	1
	353-9626	CYL AS(TUBE)	1
	317-8435	ROD AS	1
	365-3598	HEAD	1
	433-5664	PISTON	1
	383-8638	STOP	1
	191-5704	STOP	1
	116-3516	LOCK NUT	1
	436-8027	LOCK NUT	1
	172-2848	BUSHING	2
	177-9754	BOLT	12
	370-1866	KIT SEAL	1
CYLINDER NAME	PART NUMBER	DESCRIPTION	QUANTITY
<b>416 D STEERING</b>	214-5097	CYL GP(ASSEMBLY)	1
	238-5254	ROD AS	1
	238-5255	HEAD	2
	215-2023	KIT SEAL	1
CYLINDER NAME	PART NUMBER	DESCRIPTION	QUANTITY
<b>428 B LIFT</b>	107-0624	CYL GP(ASSEMBLY)	1
	9T-0665	CYL AS(TUBE)	1
	9T-0661	ROD AS	1
	4T-7014	HEAD	1
	4T-7010	PISTON	1
	5P-8250	WASHER	1
	9R-0153	BUSHING	2
	9R-0321	BUSHING	2
	7J-5639	BOLT	1
246-5926	KIT SEAL	1	

CYLINDER NAME	PART NUMBER	DESCRIPTION	QUANTITY
<b>428 C STABILIZER</b>	126-6950/173-4565	CYL GP(ASSEMBLY)	1
	126-6951	CYL AS(TUBE)	1
	126-6953	ROD AS	1
	6E-4941	HEAD	1
	9T-0805	PISTON	1
	5P-8250	WASHER	1
	9R-7215	BUSHING	2
	7J-5639	BOLT	1
	234-2595/235-0350	KIT SEAL	1
CYLINDER NAME	PART NUMBER	DESCRIPTION	QUANTITY
<b>428 C STICK</b>	109-7021	CYL GP(ASSEMBLY)	1
	6E-1506/172-2253	CYL AS(TUBE)	1
	134-2659	ROD AS	1
	174-7432	HEAD	1
	109-7015	PISTON	1
	3S-6162	WASHER	1
	9R-0139	BUSHING	4
	8F-5535	BOLT	1
	243-5738/241-0898	KIT SEAL	1
CYLINDER NAME	PART NUMBER	DESCRIPTION	QUANTITY
<b>428 D LIFT</b>	192-3791	CYL GP(ASSEMBLY)	1
	192-3792	CYL AS(TUBE)	1
	119-2110	ROD AS	1
	192-3849	HEAD	1
	185-1502	PISTON	1
	9X-8399	WASHER	1
	9R-0153	BUSHING	2
	9R-0321	BUSHING	2
	173-9683	BOLT	1
	KIT SEAL	1	
CYLINDER NAME	PART NUMBER	DESCRIPTION	QUANTITY
<b>428 D STICK</b>	235-9831	CYL GP(ASSEMBLY)	1
	244-6869	CYL AS(TUBE)	1
	235-9835	ROD AS	1
	235-9832	HEAD	1
	235-9833	PISTON	1
	5J-7878	LOCK NUT	1
	9R-0139	BUSHING	4
	229-7194	KIT SEAL	1

CYLINDER NAME	PART NUMBER	DESCRIPTION	QUANTITY
428 D SWING LH	169-9559	CYL GP(ASSEMBLY)	1
	116-6857/228-3506	CYL AS(TUBE)	1
	125-7894	ROD AS	1
	6E-5651	HEAD	1
	112-1773	PISTON	1
	169-6967	LOCK NUT	1
	9R-9505	BUSHING	2
	9T-2883	BUSHING	2
		KIT SEAL	1
CYLINDER NAME	PART NUMBER	DESCRIPTION	QUANTITY
428 D SWING RH	169-9530	CYL GP(ASSEMBLY)	1
	116-6859/228-3507	CYL AS(TUBE)	1
	125-7894	ROD AS	1
	6E-5651	HEAD	1
	112-1773	PISTON	1
	169-6967	LOCK NUT	1
	9R-9505	BUSHING	2
	9T-2883	BUSHING	2
		KIT SEAL	1
CYLINDER NAME	PART NUMBER	DESCRIPTION	QUANTITY
428 E EXTENDABLE	320-5935	CYL GP(ASSEMBLY)	1
	324-0501	CYL AS(TUBE)	1
	324-0436	ROD AS	1
	324-0496	HEAD	1
	324-0498	PISTON	1
	324-0355	KIT SEAL	1
CYLINDER NAME	PART NUMBER	DESCRIPTION	QUANTITY
428 E SWING RH	269-0381	CYL GP(ASSEMBLY)	1
	269-0382	CYL AS(TUBE)	1
	269-0386	ROD AS	1
	269-0388	HEAD	1
	269-0389	PISTON	1
	9T-2883	BUSHING	2
	274-4274	BUSHING	1
	377-9352	KIT SEAL	1
CYLINDER NAME	PART NUMBER	DESCRIPTION	QUANTITY
428 E SWING LH	279-5556/381-8055	CYL GP(ASSEMBLY)	1
	279-5557	CYL AS(TUBE)	1
	269-0386	ROD AS	1
	269-0388	HEAD	1
	269-0389	PISTON	1
	9T-2883	BUSHING	2
	274-4274	BUSHING	2
	377-9352	KIT SEAL	1

CYLINDER NAME	PART NUMBER	DESCRIPTION	QUANTITY
<b>428 F TILT</b>	358-5045	CYL GP(ASSEMBLY)	1
	360-9841	CYL AS(TUBE)	1
	360-9835	ROD AS	1
	324-0512	HEAD	1
	324-0525	PISTON	1
	9R-0153	BUSHING	4
	324-0411	KIT SEAL	1
CYLINDER NAME	PART NUMBER	DESCRIPTION	QUANTITY
<b>430 E MP BUCKET</b>	226-5540	CYL GP(ASSEMBLY)	1
	230-9357	KIT SEAL	1
CYLINDER NAME	PART NUMBER	DESCRIPTION	QUANTITY
<b>432 E BOOM</b>	210-7076	CYL GP(ASSEMBLY)	1
	276-7537	CYL AS(TUBE)	1
	212-6708	ROD AS	1
	273-9412	HEAD	1
	212-7291	PISTON	1
	212-8960	BUSHING	2
	326-3362	BUSHING	2
	5J-5731	LOCK NUT	1
295-9893	KIT SEAL	1	
CYLINDER NAME	PART NUMBER	DESCRIPTION	QUANTITY
<b>432 E BUCKET</b>	320-5937	CYL GP(ASSEMBLY)	1
	323-2435	CYL AS(TUBE)	1
	323-2424	ROD AS	1
	323-2431	HEAD	1
	323-2433	PISTON	1
	9R-3092	BUSHING	4
	324-0386	KIT SEAL	1
CYLINDER NAME	PART NUMBER	DESCRIPTION	QUANTITY
<b>432 E EXTENDABLE</b>	210-7098	CYL GP(ASSEMBLY)	1
	215-7460	CYL AS(TUBE)	1
	215-7457	ROD AS	1
	191-6159	HEAD	1
	229-8911	PISTON	1
	6V-8237	WASHER	1
	173-9779	BOLT	1
	338-7156	KIT SEAL	1
CYLINDER NAME	PART NUMBER	DESCRIPTION	QUANTITY
<b>432 E LIFT LH</b>	351-9352	CYL GP(ASSEMBLY)	1
	351-9353	CYL AS(TUBE)	1
	323-4212	ROD AS	1
	323-4219	HEAD	1
	323-4221	PISTON	1
	9R-0153	BUSHING	4
	324-0356	KIT SEAL	1

CYLINDER NAME	PART NUMBER	DESCRIPTION	QUANTITY
<b>432 E LIFT LH</b>	320-5934	CYL GP(ASSEMBLY)	1
	323-4224	CYL AS(TUBE)	1
	323-4212	ROD AS	1
	323-4219	HEAD	1
	323-4221	PISTON	1
	9R-0153	BUSHING	4
	324-0356	KIT SEAL	1
CYLINDER NAME	PART NUMBER	DESCRIPTION	QUANTITY
<b>432 E STABILIZER</b>	320-5938	CYL GP(ASSEMBLY)	1
	324-0516	CYL AS(TUBE)	1
	324-0505	ROD AS	1
	124-0496	HEAD	1
	324-0498	PISTON	1
	324-0355	KIT SEAL	1
CYLINDER NAME	PART NUMBER	DESCRIPTION	QUANTITY
<b>432 E STICK</b>	210-7084	CYL GP(ASSEMBLY)	1
	212-0435	CYL AS(TUBE)	1
	228-8017	ROD AS	1
	252-5833	HEAD	1
	252-5832	PISTON	1
	2J-0564	LOCK NUT	1
	213-6682	BUSHING	2
	215-1906	BUSHING	2
365-1270	KIT SEAL	1	
CYLINDER NAME	PART NUMBER	DESCRIPTION	QUANTITY
<b>432 E SWING LH</b>	278-1971	CYL GP(ASSEMBLY)	1
	278-1972	CYL AS(TUBE)	1
	233-2631	ROD AS	1
	233-2595	HEAD	1
	233-2583	PISTON	1
	274-4274	BUSHING	1
	9T-2883	BUSHING	2
	233-2622	KIT SEAL	1
CYLINDER NAME	PART NUMBER	DESCRIPTION	QUANTITY
<b>432 E SWING RH</b>	278-1973	CYL GP(ASSEMBLY)	1
	278-1974	CYL AS(TUBE)	1
	233-2631	ROD AS	1
	233-2595	HEAD	1
	233-2583	PISTON	1
	274-4274	BUSHING	1
	9T-2883	BUSHING	2
	233-2622	KIT SEAL	1

CYLINDER NAME	PART NUMBER	DESCRIPTION	QUANTITY
<b>432 E TILT</b>	333-5427	CYL GP(ASSEMBLY)	1
	324-0530	CYL AS(TUBE)	1
	324-0519	ROD AS	1
	324-0512	HEAD	1
	324-0525	PISTON	1
	9R-0153	BUSHING	4
	324-0411	KIT SEAL	1
CYLINDER NAME	PART NUMBER	DESCRIPTION	QUANTITY
<b>434 E BOOM</b>	320-5936	CYL GP(ASSEMBLY)	1
	324-0357	CYL AS(TUBE)	1
	324-0345	ROD AS	1
	324-0352	HEAD	1
	324-0354	PISTON	1
	212-8960	BEARING	2
	331-1520	BEARING	1
	324-0399	KIT SEAL	1
CYLINDER NAME	PART NUMBER	DESCRIPTION	QUANTITY
<b>434 E BUCKET</b>	210-7086	CYL GP(ASSEMBLY)	1
	336-4182	CYL AS(TUBE)	1
	213-2486	ROD AS	1
	213-2483	HEAD	1
	336-4179	PISTON	1
	9R-0139	BUSHING	2
	9R-0162	BUSHING	2
	9X-8399	WASHER	1
	173-9683	BOLT	1
		KIT SEAL	1
CYLINDER NAME	PART NUMBER	DESCRIPTION	QUANTITY
<b>434 E STICK</b>	320-6521	CYL GP(ASSEMBLY)	1
	324-0417	CYL AS(TUBE)	1
	324-0406	ROD AS	1
	324-0367	HEAD	1
	324-0369	PISTON	1
	215-1906	BUSHING	2
	331-1520	BUSHING	1
	324-0398	KIT SEAL	1
CYLINDER NAME	PART NUMBER	DESCRIPTION	QUANTITY
<b>434 E SWING LH</b>	278-1971	CYL GP(ASSEMBLY)	1
	278-1972	CYL AS(TUBE)	1
	233-2631	ROD AS	1
	233-2595	HEAD	1
	233-2583	PISTON	1
	274-4274	BUSHING	1
	9T-2883	BUSHING	2
	233-2622	KIT SEAL	1



CYLINDER NAME	PART NUMBER	DESCRIPTION	QUANTITY
<b>434 E SWING RH</b>	278-1973	CYL GP(ASSEMBLY)	1
	278-1974	CYL AS(TUBE)	1
	233-2631	ROD AS	1
	233-2595	HEAD	1
	233-2583	PISTON	1
	274-4274	BUSHING	1
	9T-2883	BUSHING	2
	233-2622	KIT SEAL	1
CYLINDER NAME	PART NUMBER	DESCRIPTION	QUANTITY
<b>438 BOOM</b>	9T-5219	CYL GP(ASSEMBLY)	1
	9T-5218	CYL AS(TUBE)	1
	4T-7011	ROD AS	1
	4T-7014	HEAD	1
	4T-7010	PISTON	1
	5P-8250	WASHER	1
	7J-5639	BOLT	1
	3E-3297	KIT SEAL	1
CYLINDER NAME	PART NUMBER	DESCRIPTION	QUANTITY
<b>438 C BOOM</b>	6E-0274	CYL GP(ASSEMBLY)	1
	6E-0273	CYL AS(TUBE)	1
	6E-1522	ROD AS	1
	120-6677	HEAD	1
	6E-0276	PISTON	1
	9R-0139	BUSHING	4
	3S-6162	WASHER	1
	170-9066	BOLT	1
	KIT SEAL	1	
CYLINDER NAME	PART NUMBER	DESCRIPTION	QUANTITY
<b>438 C MP BUCKET</b>	9T-4006/185-1839	CYL GP(ASSEMBLY)	1
	9T-4009	CYL AS(TUBE)	1
	9T-4008	ROD AS	1
	9T-2074	HEAD	1
	9T-2212	PISTON	1
	9T-4007	BUSHING	2
	5P-8250	WASHER	1
	6F-7037	BOLT	1
185-6583	KIT SEAL	1	

CYLINDER NAME	PART NUMBER	DESCRIPTION	QUANTITY
<b>444 E BUCKET</b>	210-7086	CYL GP(ASSEMBLY)	1
	336-4182	CYL AS(TUBE)	1
	213-2486	ROD AS	1
	213-2483	HEAD	1
	336-4179	PISTON	1
	9R-0139	BUSHING	2
	9R-0162	BUSHING	2
	9X-8399	WASHER	1
	173-9683	BOLT	1
		KIT SEAL	1
CYLINDER NAME	PART NUMBER	DESCRIPTION	QUANTITY
<b>725 HOIST</b>	241-4071	CYL GP(ASSEMBLY)	1
	271-4072	CYL AS(TUBE)	1
	141-4339	ROD AS	1
	141-4337	HEAD	1
	141-4338	PISTON	1
	2U-2576	LOCK NUT	1
	066-5815	BEARING	1
	319-2447	BEARING	1
	KIT SEAL	1	
CYLINDER NAME	PART NUMBER	DESCRIPTION	QUANTITY
<b>735 HOIST</b>	285-4033	CYL GP(ASSEMBLY)	1
	241-4066	CYL AS(TUBE)	1
	141-6670	ROD AS	1
	143-7680	HEAD	1
	283-8469	PISTON	1
	061-6701	LOCK NUT	1
	066-5815	BEARING	1
	319-2447	BEARING	1
		KIT SEAL	1
CYLINDER NAME	PART NUMBER	DESCRIPTION	QUANTITY
<b>740 HOIST</b>	141-6667	CYL GP(ASSEMBLY)	1
	141-6668	CYL AS(TUBE)	1
	141-6670	ROD AS	1
	141-6672	HEAD	1
	141-6673	PISTON	1
	2U-2576	LOCK NUT	1
	066-5815	BEARING	1
	319-2447	BEARING	1
	KIT SEAL	1	
CYLINDER NAME	PART NUMBER	DESCRIPTION	QUANTITY
<b>740 STEERING</b>	223-1335	CYL GP(ASSEMBLY)	1
	141-1190	CYL AS(TUBE)	1
	223-1336	ROD AS	1
	141-5851	HEAD	1
	141-5849	PISTON	1
	141-5864	BOLT	1
	6V-5002	BEARING	2
217-9894	KIT SEAL	1	

CYLINDER NAME	PART NUMBER	DESCRIPTION	QUANTITY
<b>769 C STEERING</b>	9J-1287	CYL GP(ASSEMBLY)	1
	9J-1301	CYL AS(TUBE)	1
	7J-7526	ROD AS	1
	7J-3620	HEAD	1
	6J-1121	PISTON	1
	1D-4608	BOLT	4
	5J-5731	LOCK NUT	1
	257-8422	KIT SEAL	1
CYLINDER NAME	PART NUMBER	DESCRIPTION	QUANTITY
<b>770 SUSPENSION</b>	266-0341	CYL GP(ASSEMBLY)	1
	266-0342	CYL AS(TUBE)	1
	302-5215	ROD AS	1
	240-3543	HEAD	1
	5P-8244	WASHER	18
	223-4421	BOLT	14
	223-6475	BOLT	4
	7J-5547	COVER AS	2
	6J-1144	BEARING	2
	363-4157	KIT SEAL	1
CYLINDER NAME	PART NUMBER	DESCRIPTION	QUANTITY
<b>772 STEERING</b>	276-5249	CYL GP(ASSEMBLY)	1
	276-5244	CYL AS(TUBE)	1
	2576-5250	ROD AS	1
	148-2593	HEAD	1
	6E-1131	PISTON	1
	173-9683	BOLT	1
	238-4462	KIT SEAL	1
CYLINDER NAME	PART NUMBER	DESCRIPTION	QUANTITY
<b>CAT 854G-992K STEERING</b>	157-1352	CYL GP(ASSEMBLY)	1
	113-4388 / 20R-3818	CYL AS(TUBE)	1
	113-4391 / 0R-9025	ROD AS	1
	6E-1250	HEAD	1
	6E-1249	PISTON	1
	3J-6899	LOCK NUT	1
	4E-8078	BUSHING	2
	6E-0804	BUSHING	1
	7X-2489	BOLT	2
	8T-5878	BOLT	6
229-7191	KIT SEAL	1	

CYLINDER NAME	PART NUMBER	DESCRIPTION	QUANTITY
<b>928 F LIFT</b>	6E-1400	CYL GP(ASSEMBLY)	1
	6E-1401	CYL AS(TUBE)	1
	9T-6739	ROD AS	1
	122-9842	HEAD	1
	6E-1404	PISTON	1
	8T-1605	BOLT	1
	6E-0391	BUSHING	1
	243-5798	KIT SEAL	1
CYLINDER NAME	PART NUMBER	DESCRIPTION	QUANTITY
<b>928 F STEERING</b>	9T-6646	CYL GP(ASSEMBLY)	1
	9T-6674	CYL AS(TUBE)	1
	9T-6672	ROD AS	1
	6E-4940	HEAD	1
	9T-2457	PISTON	1
	6V-5845	BOLT	1
	4D-4431	BEARING	1
	233-9204	KIT SEAL	1
CYLINDER NAME	PART NUMBER	DESCRIPTION	QUANTITY
<b>928 F TILT</b>	9T-6645	CYL GP(ASSEMBLY)	1
	9T-6730	CYL AS(TUBE)	1
	9T-6733	ROD AS	1
	120-6679	HEAD	1
	9T-8199	PISTON	1
	8T-1605	BOLT	1
	3G-2791	BUSHING	1
	3G-2797	BUSHING	1
234-1948	KIT SEAL	1	
CYLINDER NAME	PART NUMBER	DESCRIPTION	QUANTITY
<b>930 G LIFT</b>	235-6823	CYL GP(ASSEMBLY)	1
	199-1363	CYL AS(TUBE)	1
	199-1361	ROD AS	1
	235-9832	HEAD	1
	169-2969	PISTON	1
	8F-5535	BOLT	1
	7P-8753	BEARING	1
	7J-9709	BUSHING	1
229-7194	KIT SEAL	1	
CYLINDER NAME	PART NUMBER	DESCRIPTION	QUANTITY
<b>938 H LIFT</b>	254-9037	CYL GP(ASSEMBLY)	1
	263-3386	CYL AS(TUBE)	1
	263-3389	ROD AS	1
	263-3391	HEAD	1
	263-3401	PISTON	1
	1F-6762	BOLT	1
	4V-8674	BUSHING	1
	297-6845	KIT SEAL	1

CYLINDER NAME	PART NUMBER	DESCRIPTION	QUANTITY
<b>938 K TILT</b>	495-6001	CYL GP(ASSEMBLY)	1
	352-4973	CYL AS(TUBE)	1
	352-4978	ROD AS	1
	494-4318	HEAD	1
	349-1724	PISTON	1
	347-8161	BUSHING	2
	501-6697	KIT SEAL	1
CYLINDER NAME	PART NUMBER	DESCRIPTION	QUANTITY
<b>938 H TILT</b>	338-8416	CYL GP(ASSEMBLY)	1
	317-1449	CYL AS(TUBE)	1
	338-7395	ROD AS	1
	264-0614	HEAD	1
	264-0615	PISTON	1
	5J-3488	LOCK NUT	1
	3G-5285	BUSHING	1
	KIT SEAL	1	
CYLINDER NAME	PART NUMBER	DESCRIPTION	QUANTITY
<b>950 FII TILT</b>	3G-8786	CYL GP(ASSEMBLY)	1
	3G-8785	CYL AS(TUBE)	1
	6E-2191	ROD AS	1
	9T-3503	HEAD	1
	6E-2192	PISTON	1
	5J-3488	LOCK NUT	1
	1A-5576	BOLT	2
	1D-4628	BOLT	6
	3G-8779	BUSHING	1
	3G-9191	BUSHING	1
245-0585	KIT SEAL	1	
CYLINDER NAME	PART NUMBER	DESCRIPTION	QUANTITY
<b>950-962 GI-II LIFT LH</b>	118-8296	CYL GP(ASSEMBLY)	1
	125-0028	CYL AS(TUBE)	1
	125-0025	ROD AS	1
	125-0026	HEAD	1
	125-0027	PISTON	1
	3J-6899	LOCK NUT	1
	8T-0664	BOLT	4
	3G-7624	BUSHING	1
295-9890	KIT SEAL	1	
CYLINDER NAME	PART NUMBER	DESCRIPTION	QUANTITY
<b>950-962 GI-II LIFT RH</b>	125-0024	CYL GP(ASSEMBLY)	1
	125-0028	CYL AS(TUBE)	1
	125-0025	ROD AS	1
	125-0026	HEAD	1
	125-0027	PISTON	1
	3J-6899	LOCK NUT	1
	8T-0664	BOLT	4
	3G-7624	BUSHING	1
295-9890	KIT SEAL	1	

CYLINDER NAME	PART NUMBER	DESCRIPTION	QUANTITY
950-962 GI-II TILT	118-9001	CYL GP(ASSEMBLY)	1
	118-9004	CYL AS(TUBE)	1
	248-3318	ROD AS	1
	118-9002	HEAD	1
	6E-1440	PISTON	1
	3J-9449	LOCK NUT	1
	6V-8133	BOLT	6
	8T-0668	BOLT	2
	3G-8779	BUSHING	1
	9J-7099	BUSHING	1
	228-1792	KIT SEAL	1
CYLINDER NAME	PART NUMBER	DESCRIPTION	QUANTITY
950-962 H TILT	242-4270	CYL GP(ASSEMBLY)	1
	245-9790	CYL AS(TUBE)	1
	248-3318	ROD AS	1
	245-9791	HEAD	1
	348-3317	PISTON	1
	2J-7686	LOCK NUT	1
	8T-0667	BOLT	8
	3G-8779	BUSHING	1
	9J-7099	BUSHING	1
	KIT SEAL	1	
CYLINDER NAME	PART NUMBER	DESCRIPTION	QUANTITY
950-962 H TILT	245-7491	CYL GP(ASSEMBLY)	1
	245-9790	CYL AS(TUBE)	1
	224-5700	ROD AS	1
	245-9791	HEAD	1
	248-3317	PISTON	1
	2J-7686	LOCK NUT	1
	8T-0667	BOLT	8
	3G-8779	BUSHING	1
	9J-7099	BUSHING	1
	KIT SEAL	1	
CYLINDER NAME	PART NUMBER	DESCRIPTION	QUANTITY
950 H LIFT LH	242-4272	CYL GP(ASSEMBLY)	1
	245-7500	CYL AS(TUBE)	1
	245-7495	ROD AS	1
	245-7494	HEAD	1
	245-7493	PISTON	1
	5J-3488	LOCK NUT	1
	9X-8896	BOLT	6
	3G-7624	BUSHING	1
	KIT SEAL	1	

CYLINDER NAME	PART NUMBER	DESCRIPTION	QUANTITY
<b>CAT 950 GC STEERING</b>	387-0614	CYL GP(ASSEMBLY)	1
	397-9889	CYL AS(TUBE)	1
	397-9890	ROD AS	1
	397-9891	HEAD	1
	397-9892	PISTON	1
	397-9893	KIT SEAL	1
CYLINDER NAME	PART NUMBER	DESCRIPTION	QUANTITY
<b>950 L LIFT</b>	489-4697	CYL GP(ASSEMBLY)	1
	489-4699	CYL AS(TUBE)	1
	489-4698	ROD AS	1
	349-5784	HEAD	1
	498-2919	PISTON	1
	147-5835	LOCK NUT	1
	3G-7624	BUSHING	1
		KIT SEAL	1
CYLINDER NAME	PART NUMBER	DESCRIPTION	QUANTITY
<b>950 H LIFT RH</b>	242-4271	CYL GP(ASSEMBLY)	1
	245-7500	CYL AS(TUBE)	1
	245-7495	ROD AS	1
	245-7494	HEAD	1
	245-7493	PISTON	1
	5J-3488	LOCK NUT	1
	9X-8896	BOLT	6
	3G-7624	BUSHING	1
	KIT SEAL	1	
CYLINDER NAME	PART NUMBER	DESCRIPTION	QUANTITY
<b>CAT 962 H LIFT</b>	381-4585	CYL GP(ASSEMBLY)	1
	381-4587	CYL AS(TUBE)	1
	381-4588	ROD AS	1
	381-4590	HEAD	1
	381-4589	PISTON	1
	3G-7624	BUSHING	1
	381-4591	KIT SEAL	1
CYLINDER NAME	PART NUMBER	DESCRIPTION	QUANTITY
<b>962 G-H STEERING</b>	163-0324	CYL GP(ASSEMBLY)	1
	163-0325	CYL AS(TUBE)	1
	163-0327	ROD AS	1
	163-0329	HEAD	1
	163-0326	PISTON	1
	173-9779	BOLT	1
	9M-1328	BEARING	2
	310-5478	KIT SEAL	1

CYLINDER NAME	PART NUMBER	DESCRIPTION	QUANTITY
<b>966 F LIFT LH</b>	3G-5495	CYL GP(ASSEMBLY)	1
	3G-5502	CYL AS(TUBE)	1
	3G-5492	ROD AS	1
	124-2726	HEAD	1
	6E-1440	PISTON	1
	3J-9449	LOCK NUT	1
	1A-5576	BOLT	2
	1D-4628	BOLT	6
	9T-8676	BUSHING	1
	245-0581	KIT SEAL	1
CYLINDER NAME	PART NUMBER	DESCRIPTION	QUANTITY
<b>966 F LIFT RH</b>	3G-5496	CYL GP(ASSEMBLY)	1
	3G-5502	CYL AS(TUBE)	1
	3G-5492	ROD AS	1
	124-2726	HEAD	1
	6E-1440	PISTON	1
	3J-9449	LOCK NUT	1
	1A-5576	BOLT	2
	1D-4628	BOLT	6
	9T-8676	BUSHING	1
	245-0581	KIT SEAL	1
CYLINDER NAME	PART NUMBER	DESCRIPTION	QUANTITY
<b>966 F TILT</b>	3G-5497	CYL GP(ASSEMBLY)	1
	3G-5264	CYL AS(TUBE)	1
	9T-8994	ROD AS	1
	9T-3502	HEAD	1
	9T-9940	PISTON	1
	2J-7686	LOCK NUT	1
	1D-4640	BOLT	2
	8H-5772	BOLT	6
	9J-7099	BUSHING	1
	9J-7100	BUSHING	1
245-0605	KIT SEAL	1	
CYLINDER NAME	PART NUMBER	DESCRIPTION	QUANTITY
<b>966 GI-II LIFT LH</b>	133-2964	CYL GP(ASSEMBLY)	1
	133-4048	CYL AS(TUBE)	1
	133-4047	ROD AS	1
	133-4046	HEAD	1
	6E-1440	PISTON	1
	3J-9449	LOCK NUT	1
	6V-3669	BOLT	6
	8T-0362	BOLT	2
	9T-8676	BUSHING	1
245-0581	KIT SEAL	1	



CYLINDER NAME	PART NUMBER	DESCRIPTION	QUANTITY
<b>966 GI-II LIFT RH</b>	133-2963	CYL GP(ASSEMBLY)	1
	133-4048	CYL AS(TUBE)	1
	133-4047	ROD AS	1
	133-4046	HEAD	1
	6E-1440	PISTON	1
	3J-9449	LOCK NUT	1
	6V-3669	BOLT	6
	8T-0362	BOLT	2
	9T-8676	BUSHING	1
	245-0581	KIT SEAL	1
CYLINDER NAME	PART NUMBER	DESCRIPTION	QUANTITY
<b>966-972 H LIFT LH</b>	242-4275	CYL GP(ASSEMBLY)	1
	244-7030	CYL AS(TUBE)	1
	244-7025	ROD AS	1
	244-6628	HEAD	1
	248-3317	PISTON	1
	2J-7686	LOCK NUT	1
	8T-0667	BOLT	8
	9T-8676	BUSHING	1
	295-9888	KIT SEAL	1
	CYLINDER NAME	PART NUMBER	DESCRIPTION
<b>966-972 H LIFT RH</b>	242-4274	CYL GP(ASSEMBLY)	1
	244-7030	CYL AS(TUBE)	1
	244-7025	ROD AS	1
	244-6628	HEAD	1
	248-3317	PISTON	1
	2J-7686	LOCK NUT	1
	8T-0667	BOLT	8
	9T-8676	BUSHING	1
	295-9888	KIT SEAL	1
	CYLINDER NAME	PART NUMBER	DESCRIPTION
<b>966-972 H STEERING</b>	314-9336	CYL GP(ASSEMBLY)	1
	135-4688	CYL AS(TUBE)	1
	135-4690	ROD AS	1
	314-9337	HEAD	1
	145-9105	PISTON	1
	173-9683	BOLT	1
	9M-1328	BEARING	2
	7X-2783	KIT SEAL	1

CYLINDER NAME	PART NUMBER	DESCRIPTION	QUANTITY
966 H TILT	245-7484	CYL GP(ASSEMBLY)	1
	245-7502	CYL AS(TUBE)	1
	247-8492	ROD AS	1
	244-3602	HEAD	1
	244-4509	PISTON	1
	2J-7686	LOCK NUT	1
	9X-8896	BOLT	8
	9J-7099	BUSHING	1
	9J-7100	BUSHING	1
	313-3829	KIT SEAL	1
CYLINDER NAME	PART NUMBER	DESCRIPTION	QUANTITY
966 H TILT	242-4273	CYL GP(ASSEMBLY)	1
	244-4513	CYL AS(TUBE)	1
	247-8493	ROD AS	1
	244-3602	HEAD	1
	244-4509	PISTON	1
	2J-7686	LOCK NUT	1
	9X-8896	BOLT	8
	9J-7099	BUSHING	1
	9J-7100	BUSHING	1
	313-3829	KIT SEAL	1
CYLINDER NAME	PART NUMBER	DESCRIPTION	QUANTITY
972 GII TILT	188-2445	CYL GP(ASSEMBLY)	1
	133-6179	CYL AS(TUBE)	1
	188-2448	ROD AS	1
	188-2447	HEAD	1
	187-6650	PISTON	1
	4J-6888	LOCK NUT	1
	8T-0666	BOLT	6
	8T-0668	BOLT	2
	9J-7099	BUSHING	1
	9J-7100	BUSHING	1
228-2533	KIT SEAL	1	
CYLINDER NAME	PART NUMBER	DESCRIPTION	QUANTITY
972 H TILT	244-8777	CYL GP(ASSEMBLY)	1
	244-8776	CYL AS(TUBE)	1
	247-4834	ROD AS	1
	244-7778	HEAD	1
	244-8772	PISTON	1
	4J-6888	LOCK NUT	1
	9X-8896	BOLT	11
	9J-7099	BUSHING	1
	9J-7100	BUSHING	1
365-2880	KIT SEAL	1	

CYLINDER NAME	PART NUMBER	DESCRIPTION	QUANTITY
<b>980 GII STEERING</b>	115-1371	CYL GP(ASSEMBLY)	1
	115-3595	CYL AS(TUBE)	1
	115-1372	ROD AS	1
	6E-4977	HEAD	1
	9T-5927	PISTON	1
	173-9683	BOLT	1
	5J-1446	BEARING	2
	241-8921	KIT SEAL	1
CYLINDER NAME	PART NUMBER	DESCRIPTION	QUANTITY
<b>980 G LIFT</b>	111-8181	CYL GP(ASSEMBLY)	1
	111-8182	CYL AS(TUBE)	1
	111-8187	ROD AS	1
	111-8192	HEAD	1
	9J-3625	PISTON	1
	2J-7686	LOCK NUT	1
	8T-0666	BOLT	8
	1V-8241	BUSHING	1
228-1775	KIT SEAL	1	
CYLINDER NAME	PART NUMBER	DESCRIPTION	QUANTITY
<b>980 H-980 GII TILT LH</b>	112-5004	CYL GP(ASSEMBLY)	1
	112-5068	CYL AS(TUBE)	1
	189-3041	ROD AS	1
	112-5071	HEAD	1
	224-2235	PISTON	1
	5J-3488	LOCK NUT	1
	8T-0667	BOLT	2
	8T-0668	BOLT	2
	173-9779	BOLT	6
	1V-8242	BUSHING	2
228-0808	KIT SEAL	1	
CYLINDER NAME	PART NUMBER	DESCRIPTION	QUANTITY
<b>980 H-980 GII TILT RH</b>	112-5003	CYL GP(ASSEMBLY)	1
	123-9755	CYL AS(TUBE)	1
	189-3041	ROD AS	1
	112-5071	HEAD	1
	224-2235	PISTON	1
	5J-3488	LOCK NUT	1
	8T-0667	BOLT	2
	8T-0668	BOLT	2
	173-9779	BOLT	6
	1V-8242	BUSHING	2
228-0808	KIT SEAL	1	

CYLINDER NAME	PART NUMBER	DESCRIPTION	QUANTITY
<b>980 H TILT LH</b>	236-8669	CYL GP(ASSEMBLY)	1
	236-8670	CYL AS(TUBE)	1
	146-3034	ROD AS	1
	136-6965	HEAD	1
	3G-5099	PISTON	1
	5J-3488	LOCK NUT	1
	8T-0666	BOLT	2
	6V-8133	BOLT	6
	1V-8242	BUSHING	2
	228-0806	KIT SEAL	1
CYLINDER NAME	PART NUMBER	DESCRIPTION	QUANTITY
<b>980 H TILT RH</b>	236-8667	CYL GP(ASSEMBLY)	1
	236-8668	CYL AS(TUBE)	1
	146-3034	ROD AS	1
	136-6965	HEAD	1
	3G-5099	PISTON	1
	5J-3488	LOCK NUT	1
	8T-0666	BOLT	2
	6V-8133	BOLT	6
	1V-8242	BUSHING	2
	228-0806	KIT SEAL	1
CYLINDER NAME	PART NUMBER	DESCRIPTION	QUANTITY
<b>988 G-H TILT</b>	309-9545	CYL GP(ASSEMBLY)	1
	309-9548	CYL AS(TUBE)	1
	212-3251	ROD AS	1
	196-2331	HEAD	1
	170-2487	PISTON	1
	7J-9250	LOCK NUT	1
	8T-0666	BOLT	7
	8T-0669	BOLT	2
	152-3739	BUSHING	4
	261-2991	KIT SEAL	1
CYLINDER NAME	PART NUMBER	DESCRIPTION	QUANTITY
<b>988 H LIFT</b>	168-6942/309-9546	CYL GP(ASSEMBLY)	1
	309-9550	CYL AS(TUBE)	1
	135-7816	ROD AS	1
	303-2002	HEAD	1
	170-2482	PISTON	1
	7J-9250	LOCK NUT	1
	8T-0668	BOLT	11
		KIT SEAL	1

CYLINDER NAME	PART NUMBER	DESCRIPTION	QUANTITY
988 H LIFT ( LH )	173-8613	CYL GP(ASSEMBLY)	1
	173-8616 / 10R-7372	CYL AS(TUBE)	1
	448-8156 / 10R-3875	ROD AS	1
	173-8614	HEAD	1
	276-0478	PISTON	1
	7X-2454	BOLT	11
	7J-9250	LOCK NUT	1
	152-3750	BEARING	2
	229-5549	KIT SEAL	1
CYLINDER NAME	PART NUMBER	DESCRIPTION	QUANTITY
988 H LIFT ( RH )	173-8612	CYL GP(ASSEMBLY)	1
	173-8615 / 10R-7371	CYL AS(TUBE)	1
	448-8156 / 10R-3875	ROD AS	1
	173-8614	HEAD	1
	276-0478	PISTON	1
	8T-0668	BOLT	11
	7J-9250	LOCK NUT	1
	152-3750	BEARING	2
	229-5549	KIT SEAL	1
CYLINDER NAME	PART NUMBER	DESCRIPTION	QUANTITY
988 K LIFT (LH)	381-3691	CYL GP(ASSEMBLY)	1
	421-6439	CYL AS(TUBE)	1
	421-6440	ROD AS	1
	303-2002	HEAD	1
	421-6444	PISTON	1
	8T-0668	BOLT	11
	7J-9250	LOCK NUT	1
	6E-1166	BUSHING	1
CYLINDER NAME	PART NUMBER	DESCRIPTION	QUANTITY
988 K LIFT (RH)	381-3692	CYL GP(ASSEMBLY)	1
	421-6439	CYL AS(TUBE)	1
	421-6440	ROD AS	1
	303-2002	HEAD	1
	421-6444	PISTON	1
	8T-0668	BOLT	11
	7J-9250	LOCK NUT	1
	6E-1166	BUSHING	1
CYLINDER NAME	PART NUMBER	DESCRIPTION	QUANTITY
988 K TILT	381-3690	CYL GP(ASSEMBLY)	1
	422-1834	CYL AS(TUBE)	1
	422-1838	ROD AS	1
	145-9900	HEAD	1
	422-1846	PISTON	1
	3G-5022	LOCKNUT	1
	147-0169	BOLT	2
	9X-6152	BOLT	10
229-7176	KIT SEAL	1	

CYLINDER NAME	PART NUMBER	DESCRIPTION	QUANTITY
<b>988 H STEERING</b>	288-0568	CYL GP(ASSEMBLY)	1
	288-0569	CYL AS(TUBE)	1
	172-6409 / 10R-3721	ROD AS	1
	172-9981	HEAD	1
	117-7865	PISTON	1
	173-9682	BOLT	1
	135-3161	BEARING	2
	229-5538	KIT SEAL	1
CYLINDER NAME	PART NUMBER	DESCRIPTION	QUANTITY
<b>988 H STEERING</b>	259-4733	CYL GP(ASSEMBLY)	1
	259-4739	CYL AS(TUBE)	1
	172-6409	ROD AS	1
	172-9981	HEAD	1
	117-7865	PISTON	1
	173-9682	BOLT	1
	135-3161	BUSHING	2
	229-5538	KIT SEAL	1
CYLINDER NAME	PART NUMBER	DESCRIPTION	QUANTITY
<b>992 K LIFT (RH)</b>	271-1716 / 491-5803	CYL GP(ASSEMBLY)	1
	271-1721 / 491-5805	CYL AS(TUBE)	1
	271-1727 / 491-5808	ROD AS	1
	155-8162	HEAD	1
	375-4307 / 491-7522	PISTON	1
	244-6356	BOLT	11
	9X-6018	LOCK NUT	1
	229-7189	KIT SEAL	1
CYLINDER NAME	PART NUMBER	DESCRIPTION	QUANTITY
<b>992 K LIFT (LH)</b>	271-1717	CYL GP(ASSEMBLY)	1
	271-1722	CYL AS(TUBE)	1
	271-1727 / 491-5808	ROD AS	1
	155-8162	HEAD	1
	375-4307 / 491-7522	PISTON	1
	244-6356	BOLT	11
	9X-6018	LOCK NUT	1
	229-7189	KIT SEAL	1
CYLINDER NAME	PART NUMBER	DESCRIPTION	QUANTITY
<b>992 K TILT</b>	271-3572 / 503-8431	CYL GP(ASSEMBLY)	1
	271-3573 / 503-8432	CYL AS(TUBE)	1
	503-8434 / 271-1729	ROD AS	1
	271-3574	HEAD	1
	229-9549	PISTON	1
	147-0169	BOLT	2
	101-3672	BOLT	6
	248-2507	BUSHING	1
	161-5811	BUSHING	1
	3G-5022	LOCK NUT	1
416-1228	KIT SEAL	1	

CYLINDER NAME	PART NUMBER	DESCRIPTION	QUANTITY
<b>D5 N XL ANGLING</b>	152-6482	CYL GP(ASSEMBLY)	1
	106-1289	CYL AS(TUBE)	1
	152-6483	ROD AS	1
	136-2504	HEAD	1
	100-4529	PISTON	1
	173-9779	BOLT	1
	4D-4431	BEARING	2
	4T-8054	KIT SEAL	1
CYLINDER NAME	PART NUMBER	DESCRIPTION	QUANTITY
<b>D5 N XL BULLDOZER TILT</b>	160-0045	CYL GP(ASSEMBLY)	1
	160-0046	CYL AS(TUBE)	1
	204-9543	ROD AS	1
	120-6679	HEAD	1
	3G-4649	PISTON	1
	3J-9545	LOCK NUT	1
	1U-4049	WASHER	1
	160-0305	BEARING	1
234-1948	KIT SEAL	1	
CYLINDER NAME	PART NUMBER	DESCRIPTION	QUANTITY
<b>D6 N RIPPER</b>	9T-2716	CYL GP(ASSEMBLY)	1
	9T-2715	CYL AS(TUBE)	1
	9T-2714	ROD AS	1
	9T-6863	HEAD	1
	3G-1753	PISTON	1
	2J-0564	LOCK NUT	1
	1D-4628	BOLT	4
	3G-1757	WASHER	1
	2K-4507	BUSHING	1
	4K-3128	BUSHING	2
242-2542	KIT SEAL	1	
CYLINDER NAME	PART NUMBER	DESCRIPTION	QUANTITY
<b>D6 N XL RIPPER LIFT</b>	325-5723	CYL GP(ASSEMBLY)	1
	328-2293	CYL AS(TUBE)	1
	328-2294	ROD AS	1
	328-2295	HEAD	1
	328-2296	PISTON	1
	2L-0041	BOLT	13
	334-6074	SPACER	1
	2K-4507	BUSHING	1
	4K-3128	BUSHING	2
	KIT SEAL	1	
CYLINDER NAME	PART NUMBER	DESCRIPTION	QUANTITY
<b>D6 N XL ANGLING</b>	379-3507	CYL GP(ASSEMBLY)	1
	379-5199	CYL AS(TUBE)	1
	379-5200	ROD AS	1
	135-7393	HEAD	1
	358-6490	PISTON	1
	2J-6384	LOCK NUT	1
	237-4860	BEARING	2
	KIT SEAL	1	

CYLINDER NAME	PART NUMBER	DESCRIPTION	QUANTITY
<b>D6 N XL BULLDOZER LIFT</b>	110-3269	CYL GP(ASSEMBLY)	1
	110-3270	CYL AS(TUBE)	1
	110-3271	ROD AS	1
	6E-3570	HEAD	1
	6E-3569	PISTON	1
	173-9683	BOLT	1
	6E-5449	BUSHING	2
	241-7584	KIT SEAL	1
CYLINDER NAME	PART NUMBER	DESCRIPTION	QUANTITY
<b>D6 N XL BULLDOZER TILT</b>	379-3506	CYL GP(ASSEMBLY)	1
	379-5189	CYL AS(TUBE)	1
	379-5190	ROD AS	1
	266-9983	HEAD	1
		PISTON	1
	1U-4049	WASHER	1
	3J-9545	LOCK NUT	1
	7J-1309	BEARING	2
		KIT SEAL	1
CYLINDER NAME	PART NUMBER	DESCRIPTION	QUANTITY
<b>D6 RII BULLDOZER LIFT</b>	129-4258	CYL GP(ASSEMBLY)	1
	129-4302	CYL AS(TUBE)	1
	114-4304	ROD AS	1
	172-9981	HEAD	1
	9T-3885	PISTON	1
	1F-6762	BOLT	1
	4J-6374	BUSHING	2
	229-2626	KIT SEAL	1
CYLINDER NAME	PART NUMBER	DESCRIPTION	QUANTITY
<b>D6 RII BULLDOZER LIFT</b>	127-8931	CYL GP(ASSEMBLY)	1
	127-8932	CYL AS(TUBE)	1
	114-4304	ROD AS	1
	172-9981	HEAD	1
	9T-3885	PISTON	1
	1F-6762	BOLT	1
	4J-6374	BUSHING	2
	229-2626	KIT SEAL	1
CYLINDER NAME	PART NUMBER	DESCRIPTION	QUANTITY
<b>D6 R TILT</b>	1U-3991/166-2582	CYL GP(ASSEMBLY)	1
	9T-0934	CYL AS(TUBE)	1
	1U-4069	ROD AS	1
	6E-5527	HEAD	1
	4T-0259	PISTON	1
	1D-4709	BOLT	4
	6V-2710	BOLT	1
	2J-8489	BUSHING	1
	244-2044	KIT SEAL	1



CYLINDER NAME	PART NUMBER	DESCRIPTION	QUANTITY
<b>D6 T ANGLING</b>	287-1973	CYL GP(ASSEMBLY)	1
	287-1991 / 20R-3908	CYL AS(TUBE)	1
	261-0078	ROD AS	1
	6E-4977	HEAD	1
	261-0080	PISTON	1
	8T-5065	LOCK NUT	1
	287-1952	BUSHING	2
	237-4860	BEARING	1
	393-3611	KIT SEAL	1
CYLINDER NAME	PART NUMBER	DESCRIPTION	QUANTITY
<b>D7 E TILT</b>	350-5473	CYL GP(ASSEMBLY)	1
	351-7915	CYL AS(TUBE)	1
	351-7916	ROD AS	1
	366-0774	HEAD	1
	266-9397	PISTON	1
	5J-5731	LOCK NUT	1
	9M-1328	BEARING	1
	4J-6374	BUSHING	2
	7Y-5216	BOLT	8
CYLINDER NAME	PART NUMBER	DESCRIPTION	QUANTITY
<b>D7 E BULLDOZER LIFT</b>	279-6581	CYL GP(ASSEMBLY)	1
	353-8619	CYL AS(TUBE)	1
	353-8620	ROD AS	1
	266-9985	HEAD	1
	353-8621	PISTON	1
	5J-1192	BUSHING	2
		KIT SEAL	
CYLINDER NAME	PART NUMBER	DESCRIPTION	QUANTITY
<b>D7 R BULLDOZER LIFT</b>	129-1908	CYL GP(ASSEMBLY)	1
	129-1910	CYL AS(TUBE)	1
	6E-1847	ROD AS	1
	121-3397	HEAD	1
	9T-3885	PISTON	1
	1F-6762	BOLT	1
	6E-1108	BUSHING	2
	229-2626	KIT SEAL	1
CYLINDER NAME	PART NUMBER	DESCRIPTION	QUANTITY
<b>D7 RI-II RIPPER LIFT</b>	164-7320	CYL GP(ASSEMBLY)	1
	166-7213	CYL AS(TUBE)	1
	112-4818	ROD AS	1
	166-7212	HEAD	1
	8J-1818	PISTON	1
	3J-9545	LOCK NUT	1
	173-9779	BOLT	4
	3G-5999	BUSHING	2
	244-0973	KIT SEAL	1

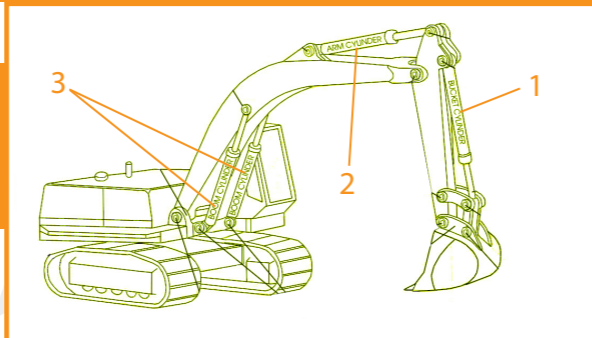
CYLINDER NAME	PART NUMBER	DESCRIPTION	QUANTITY
<b>D7 RI-II RIPPER TILT</b>	189-4645	CYL GP(ASSEMBLY)	1
	189-4647	CYL AS(TUBE)	1
	166-9139	ROD AS	1
	189-4646	HEAD	1
	4T-8710	PISTON	1
	5P-9402	BOLT	1
	6V-3669	BOLT	4
	3G-5999	BUSHING	2
	243-5810	KIT SEAL	1
CYLINDER NAME	PART NUMBER	DESCRIPTION	QUANTITY
<b>D7 RI-II TILT</b>	3G-4533	CYL GP(ASSEMBLY)	1
	3G-4532	CYL AS(TUBE)	1
	9T-6115	ROD AS	1
	6E-5527	HEAD	1
	6J-9748	PISTON	1
	2J-0564	LOCK NUT	1
	6J-9747	WASHER	1
	7X-0406	BOLT	4
	4J-6374	BUSHING	2
244-2044	KIT SEAL	1	
CYLINDER NAME	PART NUMBER	DESCRIPTION	QUANTITY
<b>D7 RII BULLDOZER LIFT</b>	129-4259	CYL GP(ASSEMBLY)	1
	129-4303	CYL AS(TUBE)	1
	6E-1839	ROD AS	1
	172-9981	HEAD	1
	9T-3885	PISTON	1
	1F-6762	BOLT	1
	6E-1108	BUSHING	2
	229-2626	KIT SEAL	1
CYLINDER NAME	PART NUMBER	DESCRIPTION	QUANTITY
<b>D8 L LIFT</b>	3G-6457	CYL GP(ASSEMBLY)	1
	3G-6828	CYL AS(TUBE)	1
	3G-6827	ROD AS	1
	6J-8319	HEAD	1
	1U-1808	PISTON	1
	7J-1965	WASHER	2
	1D-4927	BOLT	6
	1D-4631	BOLT	2
	3G-5999	BUSHING	2
	245-0584	KIT SEAL	1
CYLINDER NAME	PART NUMBER	DESCRIPTION	QUANTITY
<b>D8 L TILT</b>	3G-5707	CYL GP(ASSEMBLY)	1
	3G-5706	CYL AS(TUBE)	1
	1U-2183	ROD AS	1
	1U-3248	HEAD	1
	6J-1553	PISTON	1
	4J-6888	LOCK NUT	1
	5M-0544	BOLT	6
	6V-3340	BEARING	1
	1U-2182	BUSHING	2
246-0638	KIT SEAL	1	

CYLINDER NAME	PART NUMBER	DESCRIPTION	QUANTITY
<b>D8 R RIPPER LIFT</b>	9T-0142	CYL GP(ASSEMBLY)	1
	9T-0579	CYL AS(TUBE)	1
	9T-0584	ROD AS	1
	101-0051	HEAD	1
	1U-2716	PISTON	1
	2J-7686	LOCK NUT	1
	1D-4608	BOLT	8
	3G-5999	BUSHING	2
	244-2046	KIT SEAL	1
CYLINDER NAME	PART NUMBER	DESCRIPTION	QUANTITY
<b>D8 R-T BULLDOZER LIFT</b>	250-5861	CYL GP(ASSEMBLY)	1
	238-8637	CYL AS(TUBE)	1
	6E-1111	ROD AS	1
	163-6474	HEAD	1
	6E-1109	PISTON	1
	173-9682	BOLT	1
	6E-1108	BUSHING	2
	319-3557	KIT SEAL	1
CYLINDER NAME	PART NUMBER	DESCRIPTION	QUANTITY
<b>D8 R-T BULLDOZER TILT</b>	240-7347	CYL GP(ASSEMBLY)	1
	240-7348	CYL AS(TUBE)	1
	240-7349	ROD AS	1
	191-3583	HEAD	1
	6E-1183	PISTON	1
	4J-6888	LOCK NUT	1
	6V-3669	BOLT	8
	7J-3297	BEARING	1
	1U-2182	BUSHING	2
	245-6839	KIT SEAL	1
CYLINDER NAME	PART NUMBER	DESCRIPTION	QUANTITY
<b>D8 R-T RIPPER TIP LH</b>	155-3652	CYL GP(ASSEMBLY)	1
	155-3857	CYL AS(TUBE)	1
	9T-0098	ROD AS	1
	155-3856	HEAD	1
	6J-9748	PISTON	1
	2J-0564	LOCK NUT	1
	173-9779	BOLT	4
	8T-0666	BOLT	2
	6J-9747	WASHER	1
	3G-5999	BUSHING	2
244-2050	KIT SEAL	1	

CYLINDER NAME	PART NUMBER	DESCRIPTION	QUANTITY
<b>D8 R-T RIPPER TIP RH</b>	165-0102	CYL GP(ASSEMBLY)	1
	165-0101	CYL AS(TUBE)	1
	9T-0098	ROD AS	1
	155-3856	HEAD	1
	6J-9748	PISTON	1
	2J-0564	LOCK NUT	1
	173-9779	BOLT	4
	8T-0666	BOLT	2
	6J-9747	WASHER	1
	3G-5999	BUSHING	2
	244-2050	KIT SEAL	1
CYLINDER NAME	PART NUMBER	DESCRIPTION	QUANTITY
<b>D9 N TILT</b>	3G-5707	CYL GP(ASSEMBLY)	1
	3G-5706	CYL AS(TUBE)	1
	1U-2183	ROD AS	1
	1U-3248	HEAD	1
	6J-1553	PISTON	1
	4J-6888	LOCK NUT	1
	5M-0544	BOLT	6
	6V-3340	BEARING	1
	1U-2182	BUSHING	2
	246-0638	KIT SEAL	1
CYLINDER NAME	PART NUMBER	DESCRIPTION	QUANTITY
<b>D9 R-T BULLDOZER LIFT</b>	165-8633	CYL GP(ASSEMBLY)	1
	166-1855	CYL AS(TUBE)	1
	6E-4497	ROD AS	1
	164-6403	HEAD	1
	131-7823	PISTON	1
	173-9682	BOLT	1
	5J-1192	BUSHING	2
	319-3558	KIT SEAL	1
CYLINDER NAME	PART NUMBER	DESCRIPTION	QUANTITY
<b>D9 R-T RIPPER- RAISE,LOWER</b>	132-5123	CYL GP(ASSEMBLY)	1
	132-5121	CYL AS(TUBE)	1
	147-6116	ROD AS	1
	132-5122	HEAD	1
	9T-5809	PISTON	1
	5J-3488	LOCK NUT	1
	6V-5845	BOLT	6
	6V-9667	BOLT	2
	119-8455	WASHER	2
	3G-5999	BUSHING	2
	132-4987	KIT SEAL	1

CYLINDER NAME	PART NUMBER	DESCRIPTION	QUANTITY
<b>D9 R-T RIPPER TIP</b>	132-5149	CYL GP(ASSEMBLY)	1
	132-5146	CYL AS(TUBE)	1
	9T-0098	ROD AS	1
	132-5147	HEAD	1
	9T-5805	PISTON	1
	2J-0564	LOCK NUT	1
	6V-5845	BOLT	4
	3G-5999	BUSHING	2
	244-2055	KIT SEAL	1
CYLINDER NAME	PART NUMBER	DESCRIPTION	QUANTITY
<b>D9 R-T TILT</b>	109-6778	CYL GP(ASSEMBLY)	1
	109-6783	CYL AS(TUBE)	1
	6E-4859	ROD AS	1
	109-6779	HEAD	1
	109-6781	PISTON	1
	4J-6888	LOCK NUT	1
	8T-0283	BOLT	6
	7J-3297	BEARING	1
	1U-2182	BUSHING	2
	245-6835	KIT SEAL	1
CYLINDER NAME	PART NUMBER	DESCRIPTION	QUANTITY
<b>CAT D10R DUAL TILT (LH) 232-0652</b>	232-0652	CYL GP(ASSEMBLY)	1
	234-0144	CYL AS(TUBE)	1
	9T-9682	ROD AS	1
	6E-3667	HEAD	1
	315-7856	PISTON	1
	5M-0544	BOLT	6
	107-0576	WASHER	2
	3S-1349	WASHER	6
	117-3006	BEARING	1
	118-0611	INSERT	4
	314-6901	PLUNGER	2
	4J-8734	LOCK NUT	1
	4J-2379	BUSHING	2
	246-0648	KIT SEAL	1
CYLINDER NAME	PART NUMBER	DESCRIPTION	QUANTITY
<b>CAT D10R DUAL TILT (RH) 232-0653</b>	232-0653	CYL GP(ASSEMBLY)	1
	234-0143	CYL AS(TUBE)	1
	9T-9682	ROD AS	1
	6E-3667	HEAD	1
	315-7856	PISTON	1
	5M-0544	BOLT	6
	107-0576	WASHER	2
	3S-1349	WASHER	6
	117-3006	BEARING	1
	118-0611	INSERT	4
	314-6901	PLUNGER	2
	4J-8734	LOCK NUT	1
	4J-2379	BUSHING	2
	246-0648	KIT SEAL	1

# CAT Series



CAT		STICK	191-3118
CAT	330 BL	BOOM	116-3578
CAT		BUCKET	143-3199
CAT		STICK	191-5551
CAT	330 CL	BOOM	191-5548
CAT		BUCKET	191-5554
CAT		STICK	289-8031
CAT	330 DL	BOOM	234-4608
CAT		BUCKET	234-4614
CAT		STICK	289-8031
CAT	336 DL	BOOM	311-9524
CAT		BUCKET	315-4463
CAT		STICK	129-7832
CAT	345 B	BOOM	155-3737
CAT		BUCKET	129-7831
CAT		STICK	225-4526
CAT	345 CL	BOOM	225-4523
CAT		BUCKET	225-4532
CAT		STICK	225-4526
CAT	345DL	BOOM	225-4523
CAT		BUCKET	225-4532
CAT		STICK	156-0679
CAT	365 B	BOOM	224-2823
CAT		BUCKET	143-8007
CAT		STICK	353-5691
CAT	374 DL	BOOM	353-6907
CAT		BUCKET	353-6904
CAT		STICK	6E-0019
CAT	375 L	BOOM	114-0596
CAT		BUCKET	6E-0020
CAT		STICK	315-3375
CAT	385 CL	BOOM	155-9068
CAT		BUCKET	155-9077

Cylinder As



Rod As



Piston



Locknut



Bearing Sleeve



Stop



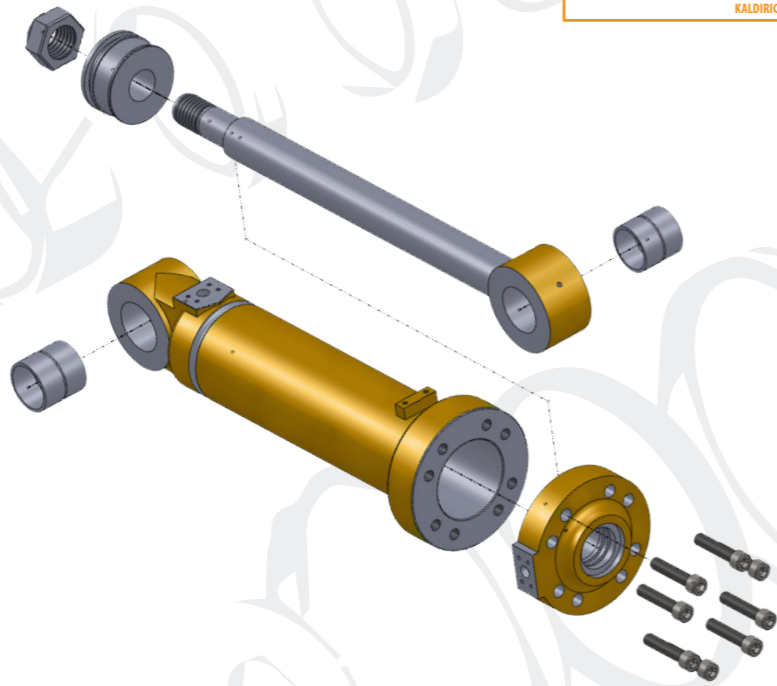
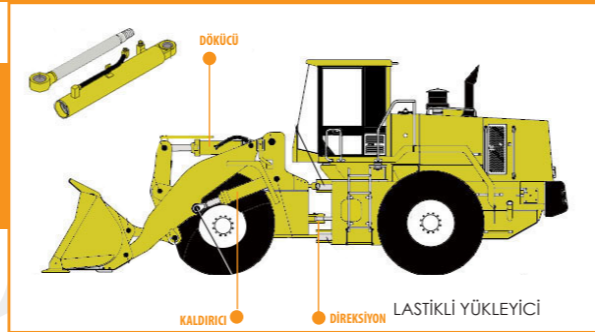
Head



● Call us for our all brands, products and thecnical tables.  
Part numbers are representative.

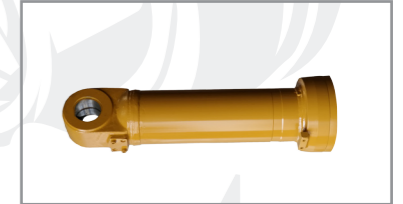


# CAT Series



CAT		STICK	353-9625
CAT	390 D	BOOM	353-9616
CAT		BUCKET	361-2862
CAT		LIFT	210-7076
CAT		BUCKET	320-5937
CAT		EXTENDABLE	210-7098
CAT	432E-434E	LIFT	320-5934
CAT		STABILIZER	320-5938
CAT		ARM(STICK)	210-1084
CAT		TILT	333-5427
CAT		BUCKET	210-7086
CAT		SWING	278-1973
CAT	428 C	STABILIZER	126-6950
CAT		STICK	109-7021
CAT	428 D	LIFT	192-3791
CAT		SWING	169-9530
CAT		LIFT	254-9037
CAT	938-H	TILT	338-8416
CAT	950-962 G I-II	LIFT	125-0024
CAT		TILT	118-9001
CAT	950 H	LIFT	242-4271
CAT		TILT	245-7491
CAT	966 F	LIFT	3G-5493
CAT		TILT	3G-5497
CAT		LIFT	242-4275
CAT	966 H	TILT	245-7484
CAT		STEERING	314-9336
CAT		STEERING	115-1371
CAT	980 GII	TILT	112-5003
CAT		LIFT	111-8181
CAT	D6N	ANGELING	379-3507
CAT		BULLDOZER TILT	379-3506
CAT	D6R II	BULLDOZER LIFT	129-4258
CAT		BLADE TILT	166-2582
CAT		RIPPER LIFT	164-7320
CAT	D7R I-II	RIPPER TILT	189-4645
CAT		BULLDOZER	250-5861
CAT	D8T	RIPPER	155-3652
CAT		LIFT	165-8633
CAT	D9R	RIPPER TILT	109-8833

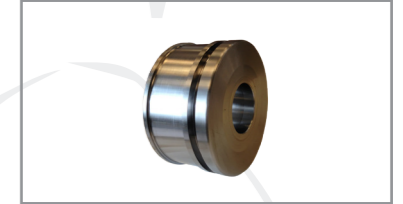
Cylinder As



Rod As



Piston



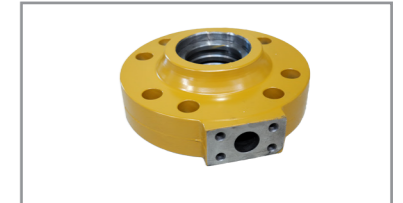
Locknut



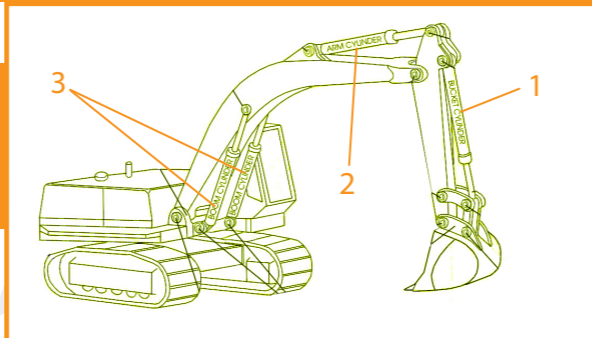
Bearing Sleeve



Head



# CAT Series



CAT 325 DL ADJUSTMENT(325C/325D) CYLINDER/179-2998	
Part Number	Part
179-3008	Cylinder As
179-3007	Rod As
	Kit Seal
CAT 330 CL ADJUSTMENT(330C/330D) CYLINDER/179-3043	
Part Number	Part
179-3044	Cylinder As
179-3045	Rod As
	Kit Seal
CAT 345 CL ADJUSTMENT(345D) CYLINDER/297-9152	
Part Number	Part
7Y-1886	Cylinder As
297-9157	Rod As
	Kit Seal
CAT 365 CL ADJUSTMENT(365C) CYLINDER/136-2430	
Part Number	Part
136-2441	Cylinder As
13624-42	Rod As
	Kit Seal
CAT 385 CL ADJUSTMENT(385C) CYLINDER/297-9154	
Part Number	Part
168-6744	Cylinder As
297-9158	Rod As
	Kit Seal

Cylinder As



Piston Rod

